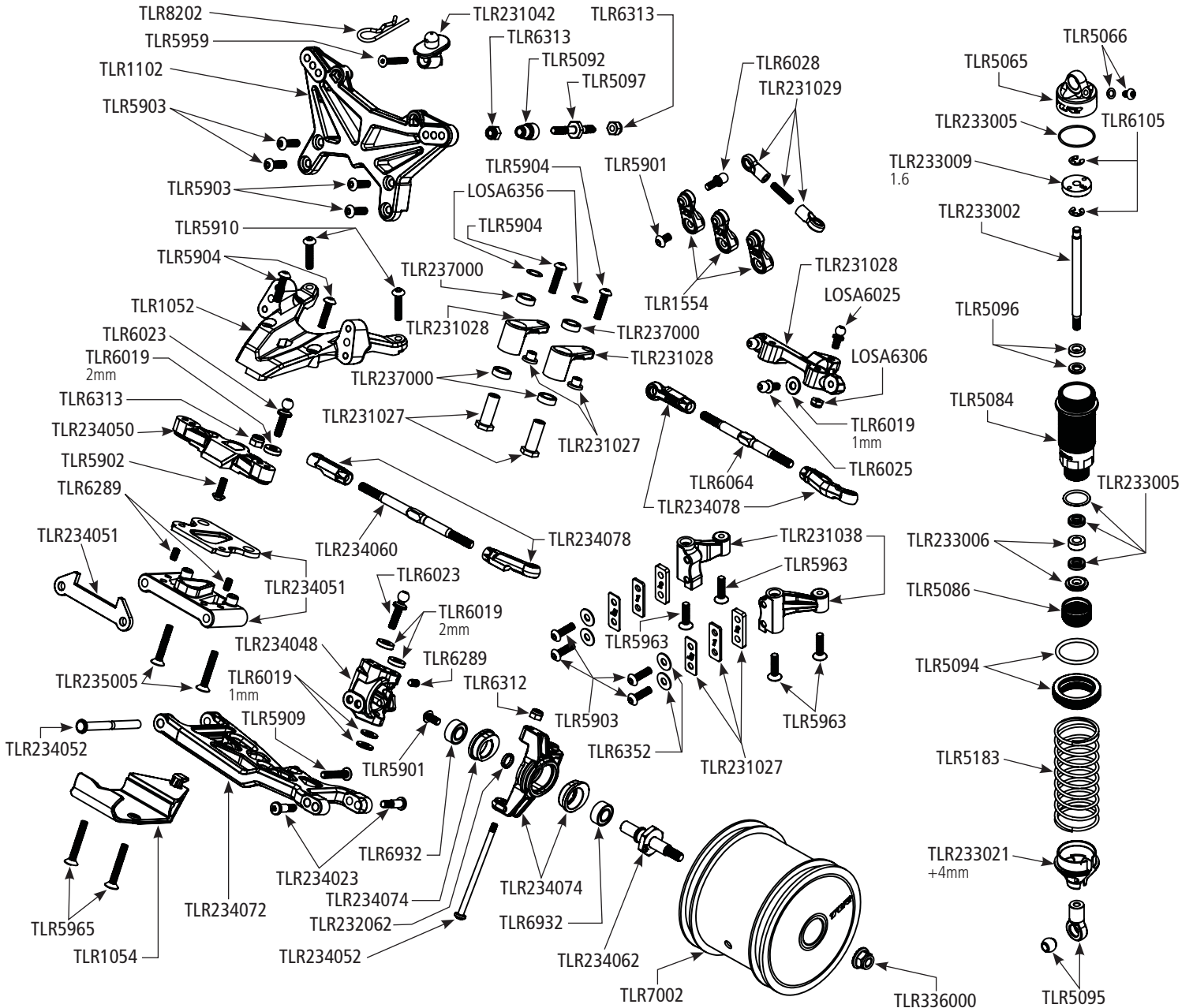
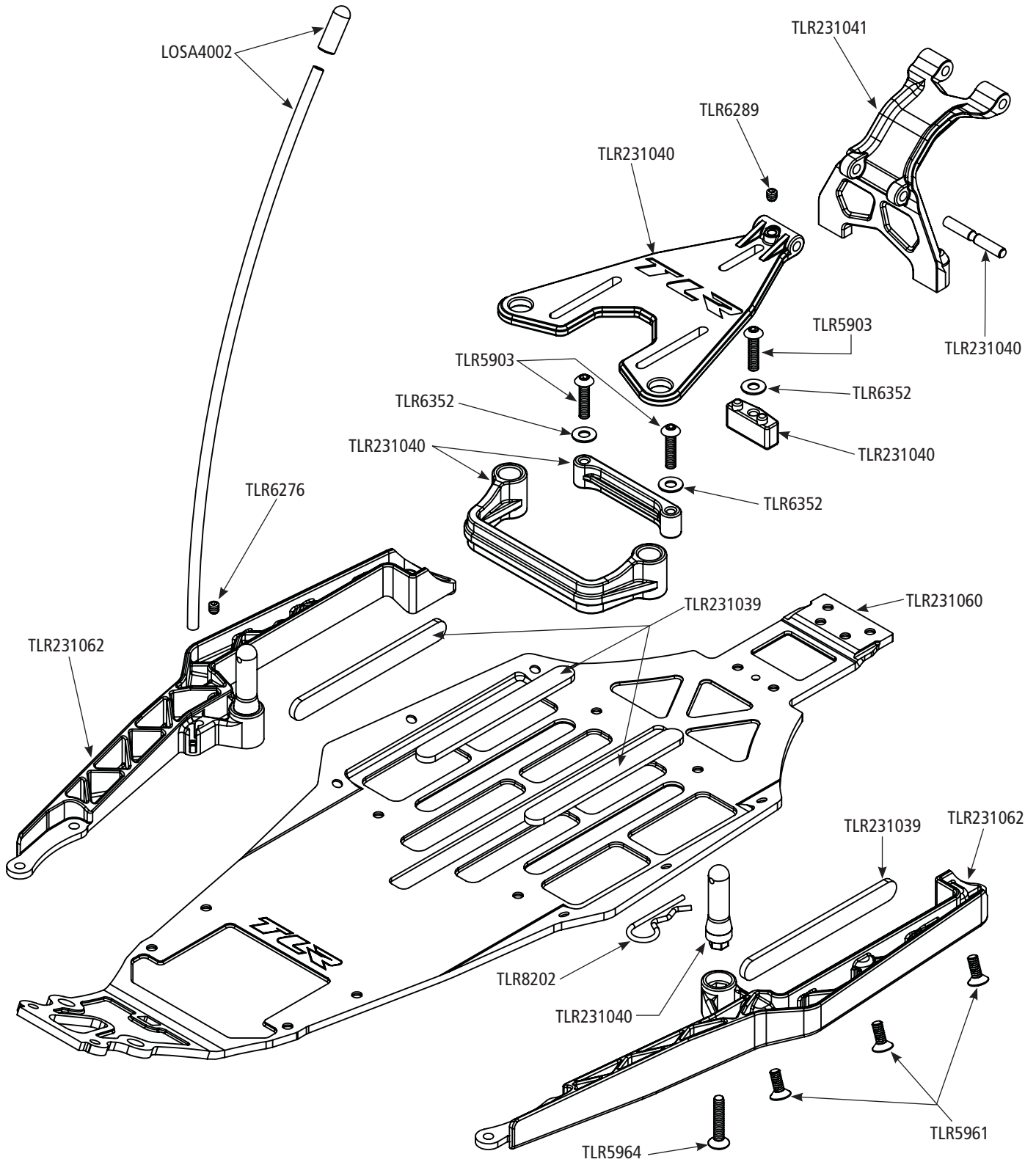


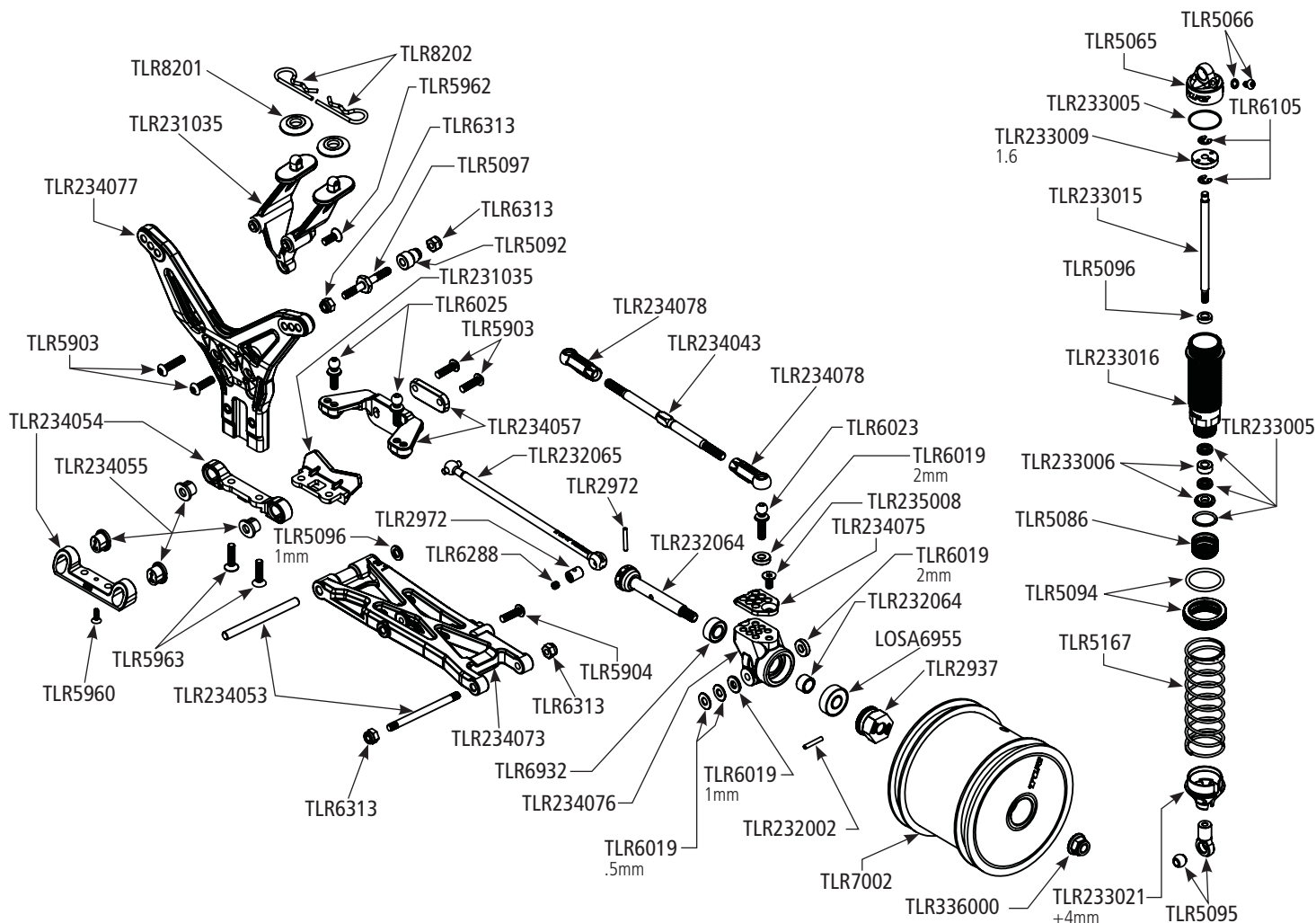
REPLACEMENT PARTS / ERSATZTEILE / PIÈCES DE RECHANGE / PEZZI DI RICAMBIO / LISTADO DE PIEZAS



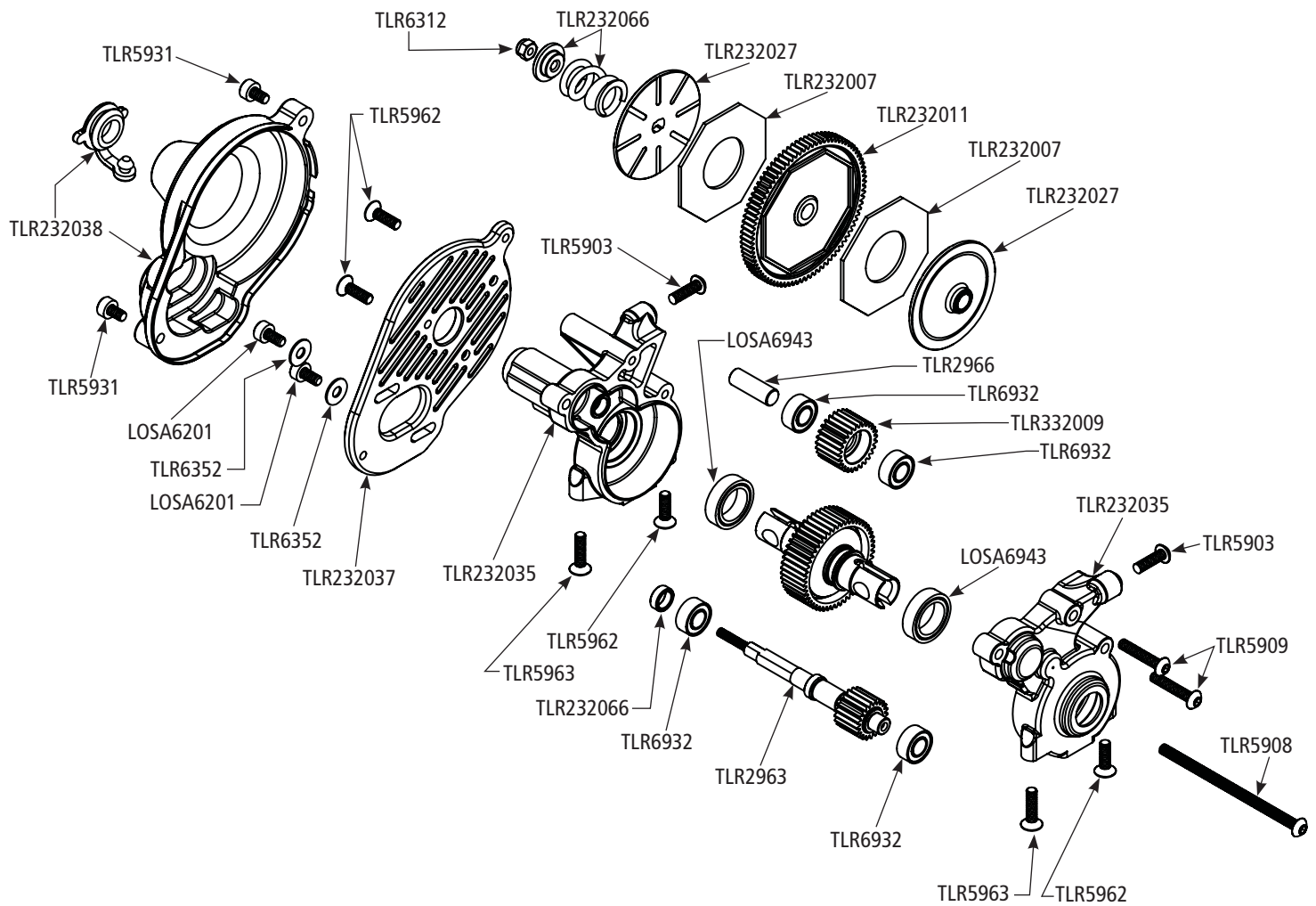
Part #	English	Deutsch	Français	Italiano	Español
DYN2267	Servo Tape, Black; 1 1/2"	Servo Klebstoff, schwarz; 1 1/2"	Adhésif servo noir, 38mm	Nastro biadesivo, nero; 1 1/2"	Adhesiva servo, negro; 38mm
LOSA4002	Antenna Kit	Losi Antennen Kit	Tube d'antenne	Kit antenna	Kit de antena
LOSA6025	Ball Studs & Ends, HD, 4-40x.215"	Losi Kugelpfannen u.Kugelpföpfe HD 4-40 x .215"	Rotules renforcées 4-40 x .215"	Prigionieri e terminali sfera, HD, 4-40x.215"	Juntas reforzadas 4-40x.215"
LOSA6201	3mm x 6mm Socket Head Screw	Losi Inbuschraube 3mm x 6mm	Vis CHC M3x6mm (10)	3mm x 6mm Vite a brugola	Tornillos con cabeza tipo Allen 3x6mm
LOSA6306	4-40 Aluminum Mini-Nuts (10)	Losi 4-40 Aluminium Mini-Muttern (10)	Mini écrous 4-40 (10)	4-40 Mini dadi alluminio (10)	Mini-tuercas aluminio 4-40 (10)
LOSA6356	Shim Set, Metric 5mm/6mm	Unterlegscheiben Set Metrisch 5mm/6mm	Set de cales 5mm/6mm	Set spessori, metrici 5mm/6mm	Set de cuñas 5mm/6mm
LOSA6943	10 x 15mm Sealed Ball Bearing (2): 22	Losi 10 X 15mm Kugellager gekapselt (2): 22	22 - Roulements étanches 10 x15mm (2)	10 x 15mm Cuscinetti stagni (2): 22	Rodamiento sellado 10x15mm (2): 22
LOSA6955	5 x 13mm HD Clutch Bearings (2): 8B/8T	Losi 5 x 13mm HD Kupplungslager (2):8B/8T	8B/8T - Roulements renforcés 5 x 13mm	5 x 13mm HD Cuscinetti frizione (2): 8B/8T	Rodamientos campana HD 5x13mm (2): 8B/8T
TLR1052	Front Bulkhead: 22	TLR Dampferbrücke vorne: 22	22 - Cellule avant	Paratia anteriore: 22	Caja delantera: 22



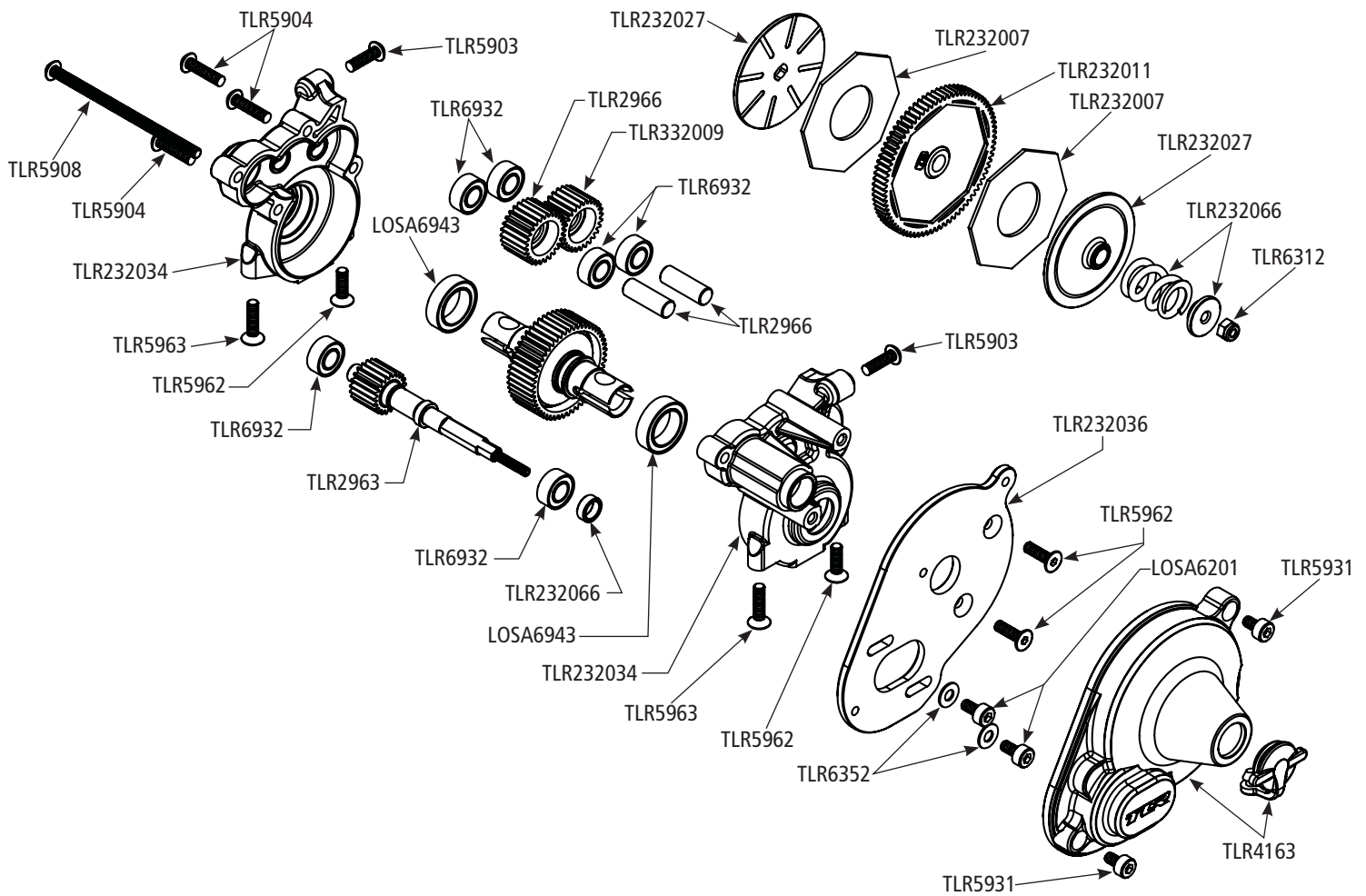
Part #	English	Deutsch	Français	Italiano	Español
TLR1054	Front Bumper: 22	TLR Stoßfänger vorne: 22	22-Pare-choc avant	Paraurti anteriore: 22	Paragolpes delantero: 22
TLR1102	Shock Tower & Body Mounts, Front: 22T	Dämpferbrücke & Karosseriehalter: 22	22T-Support d'amortisseur et de carrosserie avant	Torre ammortizzatore e supporto carrozzeria, anteriore: 22T	Soportes del amortiguador y de la carrocería delanteros: 22
TLR1554	Servo Horn Set, Steering: 22	TLR Servohorn Set: Lenkung: 22	22 - Bras de servo	Set squadrette servo, sterzo: 22	Brazos servo dirección: 22
TLR230008	Body Set, Clear: 22T 3.0	Karosserie Set Transparent: 22T 3.0	22T 3.0 - Carrosserie transparente	Alettone posteriore, trasparente (2): 22T 3.0	Carrocería transparente: 22T 3.0
TLR230009	Rear Spoiler, Clear (2): 22T 3.0	Heckspoiler Transparent (2): 22T 3.0	22T 3.0 - Aileron arrière, transparent (2)	Alettone posteriore, trasparente (2): 22T 3.0	Alerón trasero, transparente (2): 22T 3.0



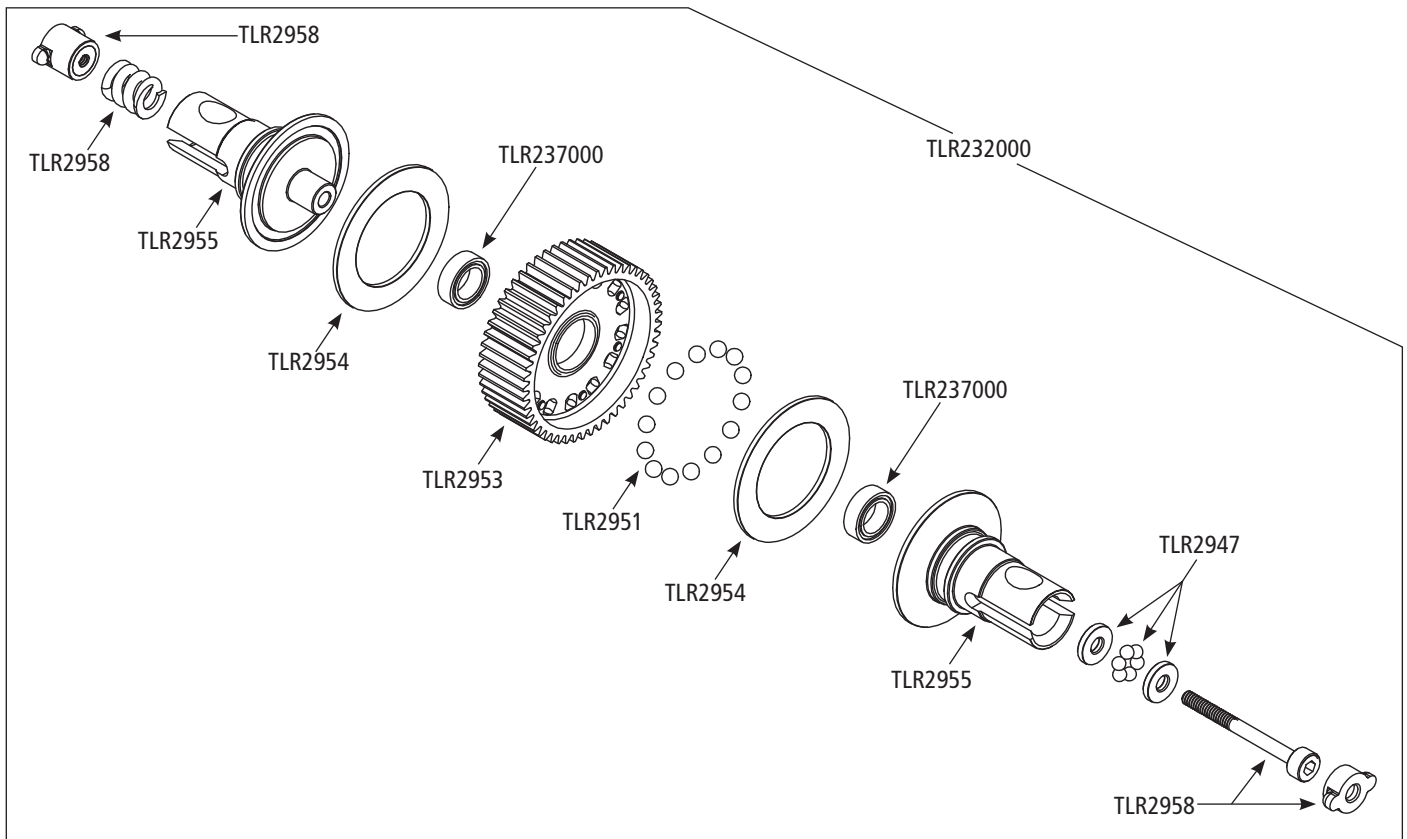
Part #	English	Deutsch	Français	Italiano	Español
TLR231027	Bell Crank Steering System w/ HDWR: 22/2.0/T/SCT	TLR Lenkung mit Lenkhebel m. HDWR: 22SCT 2.0	22/2.0/T/SCT - Système de direction à pivots	Rinvio angolare sistema sterzo c/HDWR 22/2.0/T/SCT	Sistema de dirección a pivotes: 22/2.0/T/SCT
TLR231028	Bell Crank and Drag Links: 22/2.0/T/SCT	TLR Lenkhebel mit Zugstange: 22SCT 2.0	22/2.0/T/SCT - Renvois de direction	Rinvio angolare e trascinatore: 22/2.0/T/SCT	Pivotes y biela de arrastre: 22/2.0/T/SCT
TLR231029	Steering Link and Angled Ball Cups: 22/2.0/T/SCT	TLR: TLR Lenkgestänge und Kugelpfannen gewinkelt: 22SCT 2.0	22/2.0/T/SCT - Bielle de direction avec chapes	Collegamento sterzo e attacchi a sfera: 22/2.0/T/SCT	Varilla de dirección con abrazaderas: 22/2.0/T/SCT
TLR231035	Wing Stay Set, Rear Bumper: 22 3.0	TLR 22 3.0 Flügelhalter, Stoßfänger hinten	22 3.0 - Support aileron, pare-choc arrière	Set supporti alettone, Paraurti posteriore: 22 3.0	Soporte Alerón, Parachoques Trasero: 22 3.0
TLR231038	Servo Mount/Chassis Brace: 22 3.0	TLR 22 3.0 Servohalter	22 3.0 - Support de servo / Renfort de châssis	Supporto servo/Rinforzo telaio: 22 3.0	Soporte Servo/Brazo Chasis: 22 3.0
TLR231039	Chassis Foam Set: 22 3.0	TLR 22 3.0 Schaumset Chassis	22 3.0 - Mousse de châssis	Set gommapiuma telaio: 22 3.0	Protectores Espuma Chasis: 22 3.0
TLR231040	Battery Mount Set: 22 3.0	TLR 22 3.0 Akkuhalterset	22 3.0 - Support batterie	Set supporto batteria: 22 3.0	Soportes Bateria: 22 3.0
TLR231041	Gear Box/Chassis Brace: 22 3.0	TLR 22 3.0 Getriebegehäuse Chassishalter	22 3.0 - Carter de transmission/Renfort de châssis	Riduttore/rinforzo telaio: 22 3.0	Caja Transmisión/Brazo Chasis: 22 3.0
TLR231042	Front Body Mount Set: 22T/2.0	Karosseriehalterset: 22T/2.0	22T/2.0 - Support de carrosserie avant	Set supporto carrozzeria anteriore: 22T 3.0	Soportes de carrocería delantero: 22T/2.0
TLR231060	Chassis: 22T 3.0	TLR 22T 3.0 Chassis	22T 3.0 - Châssis	Telaio: 22T 3.0	Chasis: 22T 3.0
TLR231062	Mud Guard Set, Stiffezel: 22T 3.0	Kortflügel. 22T 3.0	22T 3.0 - Bavettes, Stiffezel	Set parafanghi: 22T 3.0	Guardabarros, Stiffezel: 22T 3.0
TLR232002	Solid Drive Pin Set (8): 22/T/SCT	TLR Antriebspin Set (8): 22/T/SCT	22/T/SCT - Jeu de goupilles d'entraînement pleines (8)	Set perni trasmissione (8): 22/T/SCT	Pasador sólido rueda cardan (8): 22/T/SCT
TLR232007	HDS Slipper Pad (2)	TLR HDS Slipper Pad (2)	Garniture de slipper HDS (2)	HDS Pattino antisaltellamento (2)	Almohadillas embrague HDS (2)
TLR232011	HDS Spur Gear, 82T 48P, Kevlar: All 22	TLR HDS Zahnrad 82T 48P Kevlar: alle 22	22 - Couronne Kevlar HDS, 82T 48P	Corona HDS, 82T 48P, Kevlar: tutte le 22	Corona HDS 82T 48P kevlar: Todos 22



Part #	English	Deutsch	Français	Italiano	Español
TLR232027	Grooved Slipper Plates (2): All 22/XXX	TLR Rutschkupplungbeläge geriffelt (2) : alle 22/XXX	22/XXX - Plateaux de slipper rainurés (2)	Piastrre slipper scanalate: tutti 22/XXX	Placas de Slipper ranurados: 22/XXX Todos
TLR232035	Gear Case Set, 3-Gear: 22 3.0	TLR 22 3.0 Getriebegehäuse 3-Stufen	22 3.0 - Carter de transmission pour transmission 3 étages	Set scatola ingranaggi, 3 ingranaggi: 22 3.0	Conjunto Caja Transmisión, 3-Engranajes: 22 3.0
TLR232037	Motor Plate, 3-Gear: 22 3.0	TLR 22 3.0 Motorplatte	22 3.0 - Support moteur, pour transmission 3 étages	Piastra motore 3 ingranaggi: 22 3.0	Placa Motor, 3-Engranajes: 22 3.0
TLR232038	Gear Cover & Plug, 3-Gear: 22 3.0	TLR 22 3.0 Getriebeabdeckung und Propfen	22 3.0 - Carter de transmission & bouchon, pour transmission 3 étages	Coperchio ingranaggi e inserto, 3 ingranaggi: 22 3.0	Cubre Corona y Tapón, 3-Engranajes: 22 3.0
TLR232062	Front Axle Set, 12mm Hex: 22T 3.0	TLR 22T 3.0 Set Vorderachse 12mm Inbus	22T 3.0 - Axe de roues avant, Hexagone 12mm	Set assale anteriore, 12mm Hex: 22T 3.0	Eje Rueda Delantero, Hexágonos 12mm: 22T 3.0
TLR232064	CVA Driveshaft Set Complete, 93.25mm: 22T 3.0	CVA Antriebswellenset komplett (2): 22T 3.0	22T 3.0 - Cardans CVD complets (2)	Set completo albero trasmissione CVA (2): 22T 3.0	Eje de transmisión completo CVA (2): 22T 3.0
TLR232065	CVA Driveshaft Bone, 93.25mm (2): 22SCT 3.0	CVA Antriebswelle Knochen (2)	22SCT 3.0 - Tiges de cardans CVD (2)	Snodo albero trasmissione CVA (2): 22SCT 3.0	Varillas del eje de transmisión (2): 22SCT 3.0
TLR232066	HD Slipper Spring Set: All 22	Federset Slipper HD: alle 22	22 - Set de ressort de slipper renforcé	Set molla antisaltellamento HD: tutte le 22	Muelle Slipper: Todos 22
TLR233002	Shock Shaft, 3.5 x 50mm, TiCN (2)	TLR Kolbenstange 3.5 x 50mm TiCN (2)	Tiges d'amortisseurs, 3.5x50mm, TiCN (2)	Albero ammortizzatore, 3.5 x 50mm, TiCN (2)	Vástago amortiguador TiCN 3.5x50mm (2)
TLR233005	Seal Set, X-Rings, Shock Cap O-Rings: All 22	TLR Dichtungssset X Ringe Stoßdämpferkappen O-ringe: alle 22	22 - Set de joints d'étanchéité et toriques de bouchons d'amortisseurs	Set guarnizioni, x-ring, o-ring tappo ammortizzatore: All 22	Tóricas amortiguador: Todos 22
TLR233006	Shock Bushing Set, Machined (4): All 22	TLR Stoßdämpferlager Set (4) alle 22	22 - Set de paliers d'amortisseurs usinés (4)	Set boccole ammortizzatore, fresate (4): tutti 22	Casquillos amortiguador (4): Todos 22
TLR233009	Shock Piston 12mm 1.6x2 CNC Machined(4): All22,SCTE	TLR Stoßdämpferkolben 12 1.6x2 CNC (4) alle 22, SCTE	22, SCTE - Pistons d'amortisseurs usinés CNC diamètre 12mm, 1,6x2 trous (4)	Pistone ammortizzatore 12mm 1.6x2 prodotto con CNC (4): All 22,SCTE	Pistón amortiguador CNC mecanizado 12mm 1.6 x 2 (4): Todos 22, SCTE
TLR233015	Shock Shaft, 3.5 x 60.5mm, TiCN (2)	TLR Kolbenstange, 3.5 x 60.5mm, TiCN (2)	Tiges d'amortisseurs TiCN 3,5 x 60,5mm (2)	Albero ammort. 3.5 x 60.5mm, TiCN (2)	Vástago amortiguador TiCN 3.5x60.5mm (2)
TLR233016	Shock Body Set, 50.5mm (2)	TLR Stoßdämpfergehäuse Set, 50.5mm (2)	Set de corps d'amortisseurs 50.5mm (2)	Set corpo ammort. 50.5mm (2)	Cuerpo amortiguador 50.5mm (2)



Part #	English	Deutsch	Français	Italiano	Español
TLR233021	Spring Cup, Standard & +4mm (4ea): All 22	TLR Dämpferteller Standard + 4mm (je 4) alle 22	22 - Coupelle de ressorts, standard et +4mm (4 pièces)	Tazza molla, standard & +4mm (4pz): tutti i 22	Sujección Muelle, Estándar y +4mm (4 de cada): Todos los 22
TLR234000	Ball Stud, Low Mount, 4.8 x 6mm (4): 22/T/SCT	TLR Kugelkopf für untere Montage (4)	22/T/SCT - Support inférieur, rotules 4,8 x 6mm (4)	Prigioniero sfera, montaggio basso, 4.8 x 6mm (4): 22/T/SCT	Bola con tornillo corta, 4.8x6mm (4): 22/T/SCT
TLR234023	King Pin Screws (8): 22-4	King Pin Schrauben (8): 22-4	22-4 - Pivots de fusées (8)	Viti perni king (8): 22-4	Tornillos Mangueta (8): 22-4
TLR234043	Turnbuckle, HD, 80mm (2): 22T 2.0	TLR 22T 2.0 Gewindestange HD, 80mm (2) : 22/22-4	22T 2.0 - Biellettes, renforcées, 80mm (2)	Tenditore, HD, 80mm (2): 22T 2.0	Tirante, HD, 80mm (2): 22T 2.0
TLR234048	Caster Block Set, 5 degrees: 22 3.0	TLR 22 3.0 Casterblock 5°: 22 3.0	22 3.0 - Etriers porte-fusées, 5 degrés	Set blocco caster, 5 gradi: 22 3.0	Portamangueta, 5 grados: 22 3.0
TLR234050	Front Camber Block: All 22/T	TLR 22 3.0 Sturzstangenbrücke vorne alle 22/T	22/T - Cales de carrossage avant	Blocco camber anteriore: tutti i 22	Soporte Delantero Camber: Todos los 22/T
TLR234051	Front Pivot, w/Brace & Kick Shims: All 22	TLR 22 3.0 Querlenkerhalter vorne und Unterlegscheiben	22 - Pivot avant avec cales et renforts	Perno anteriore, c/rinforzo & distanziale per kick: tutti i 22	Pivote Delantero, con Brazo y Arandelas de Cuña: Todos los 22
TLR234052	Front Hinge/King Pin Set: All 22	TLR 22 3.0 Hinge Pin Set vorne: alle 22/T	22 - Axe de suspension avant	Set cerniera anteriore/perno: tutti i 22	Pasadores Delanteros/ Tornillos Mangueta: Todos los 22
TLR234053	Rear Hinge Pin Set: 22 3.0	TLR 22 3.0 Hinge Pin Set hinten: 22 3.0	22 3.0 - Axe de suspension arrière	Set perno cerniera posteriore: 22 3.0	Pasadores Trapecios Traseros: 22 3.0
TLR234054	Rear Pivot Block Set, LRC, Aluminum: 22 3.0	TLR 22 3.0 Querlenkerhalterset hinten LRC. Aluminium 22 3.0	22 3.0 - Cales de pincement arrière, LRC, Aluminium	Set blocco perno posteriore, LRC, alluminio: 22 3.0	Soporte Trasero de Pivote, LRC, Aluminio: 22 3.0
TLR234055	Rear Suspension Insert Set, Toe/Anti-Squat: 22 3.0	TLR 22 3.0 Anti-Squat Einsätze hinten	22 3.0 - Inserts de cales de pincement	Set inserto sospensione posteriore, convergenza/anti-squat: 22 3.0	Casquillos Suspensión Trasera, Convergenca/Anti-Squat: 22 3.0
TLR234057	Rear Camber Block, w/Inserts: 22 3.0	TLR 22 3.0 Sturzstangenbrücke hinten mit Einsätzen	22 3.0 - Cales de carrossage arrière	Blocco camber posteriore, c/ inserti: 22 3.0	Soporte Trasero Camber, con Casquillos: 22 3.0
TLR234060	Turnbuckle, HD, 55mm (2): 22/22-4	TLR 22 3.0 Gewindestange HD, 55mm (2) : 22/22-4	22/22-4 - Biellettes, renforcées, 55mm (2)	Tenditore, HD, 55mm (2): 22/22-4	Tirante, HD, 55mm (2): 22/22-4



Part #	English	Deutsch	Français	Italiano	Español
TLR234072	Front Arm Set: SCT 3.0	TLR 22SCT 3.0 Querlenkerset vorne	22SCT 3.0 - Set de triangles avant	Set bracci anteriori: 22SCT 3.0	Trapezios Delanteros: 22SCT 3.0
TLR234073	Rear Arm Set: SCT 3.0	TLR 22SCT 3.0 Querlenkerset hinten	22SCT 3.0 - Set de triangles arrière	Set bracci posteriori: 22SCT 3.0	Trapezios Traseros: 22SCT 3.0
TLR234074	Front Spindle Set: All 22	Achsschenkelset vorne: 22	22 - Set de fusées avant	Set fuso anteriore: 22	Mangueta delantera: 22
TLR234075	GenII Rear Hub Set Complete: All 22	GenII Radträger hinten, komplett: alle 22	22 - Fusées arrière complètes GenII	Set completo hub posteriore GenII: tutte le 22	GenII Buje trasero, completo: Todos 22
TLR234076	GenII Rear Hub, Composite Body (2): All 22	GenII Radträger hinten, Karosserie Verbundstoff (2): alle 22	22 - Fusées arrière complètes GenII, composite (2)	Hub posteriore, carrozzeria composito (2): All 22	GenII Buje trasero, Carroceria compuesto (2): Todos 22
TLR234077	Rear Shock Tower: 22SCT 3.0	TLR 22SCT 3.0 Dämpferbrücke hinten	22SCT 3.0 - Support d'amortisseurs arrières	Torre ammortizzatore posteriore: 22SCT 3.0	Torreta Amortiguador Trasero: 22SCT 3.0
TLR234078	HD Open Ball Cup Set: All 22	Kugelbolzen offen, HD: alle 22	22 - Rotules ouvertes renforcées	Set uniball aperti HD: tutte le 22	Bola perno abierta, reforzada: Todos 22
TLR235005	Flat Head Screws, M3 x 18mm (10)	TLR: Flachkopfschrauben, M3 x 18mm (10)	Vis à tête fraisée M3 x 18mm (10)	Viti a testa piatta M3 x 18mm (10)	Tornillo cónico 3 x 18mm (10)
TLR235008	Flat Head Screws, M3 x 6mm (10)	TLR: Flachkopfschrauben, M3 x 6mm (10)	Vis à tête fraisée M3 x 6mm (10)	Viti a testa piatta M3 x 6mm (10)	Tornillo cónico 3 x 6mm (10)
TLR237000	5x8x2.5mm Bearings (2)	TLR 5 x8x2.5mm Lager (2)	Roulements 5 x 8 x 2.5mm (2)	5 x 8 x 2.5mm cuscinetti (2)	Rodamientos 5x8x2.5mm (2)
TLR2937	Fr/R Wheel Hex: 22SCT	TLR Radmitnehmer Vorne/ Hinten: 22SCT	Hexagones de roues av et arr - 22SCT	Esagono ruota ant/post: 22SCT	Rueda Hex del/tras - 22SCT
TLR2947	Tungsten Carbide Diff Balls, 2mm (6)	TLR Tungsten Carbide Kugeln, 2mm (6)	Billes de différentiel en carbure de tungstène, 2mm (6)	Sfere diff. al carburo di tungsteno, 2mm (6)	Bolas axial carburo de tungsteno 2mm (6)
TLR2951	Tungsten Carbide Diff Balls, 3/32mm (14) 22/T/SCT	TLR Tungsten Carbide Kugel 3/32 (14)	22/T/SCT - Bille de différentiel en carbure de tungstène, 3/32 (14)	Sfere diff. al carburo di tungsteno, 3/32mm (14) 22/T/SCT	Bolas diferencial carburo de tungsteno 3/32" (14) 22/T/SCT
TLR2952	Silicone Diff Grease, 8cc: 22	TLR Differentialfett/8cc: 22	22 - Graisse silicone pour diff, 8cc	Grasso silicone diff., 8cc: 22	Grasa silicona diferencial, 8cc: 22
TLR2953	Diff Gear, 51T: 22	TLR Diff-Zahnrad 51Z: 22	22 - Couronne de diff 51T	Ingranaggio differenziale, 51T: 22	Corona diferencial 51T: 22
TLR2954	Drive Rings (2): 22	TLR Gleitring Diff: 22	22 - Plateau de différentiel (2)	Anelli trasmissione (2): 22	Pistas diferencial (2): 22
TLR2955	Outdrive Set: 22	TLR Antriebsklauen Set: 22	22 - Noix de sortie de diff	Set trascinatore: 22	Vasos diferencial: 22

Part #	English	Deutsch	Français	Italiano	Español
TLR2958	Diff Through Screw & Nut: 22	TLR Spannschraube mit Mutter: 22	22 - Vis et écrou de serrage du diff	Viti passanti diff. & dadi: 22	Tornillo diferencial y tuerca: 22
TLR2963	Layshaft & Spacer: 22	TLR Hauptwelle mit Distanzring: 22	22 - Arbre de slipper avec entretoise	Albero secondario & distanziale: 22	Eje transmisión y espaciador: 22
TLR2966	Idler Gear & Shaft (2): 22	TLR Zwischenrad mit Steckachse: 22	22-Pignon intermédiaire avec axe	Ingranaggio tenditore & albero (2): 22	Piñón intermedio y eje (2): 22
TLR2972	Driveshaft Rebuild Kit: All 22	Antriebswellen Rebuild Kit: All 22	22 - Kit de réparation pour arbre de transmission	Driveshaft Rebuild Kit: All 22	Kit para reconstruir el árbol transmisión: Todos 22
TLR332009	Idler Gear, Aluminum: 22/T/ SCT	TLR 22 3.0 Zwischenrad mit Steckachse	22/T/SCT - Pignon intermédiaire en aluminium	Ingranaggio intermedio, alluminio: 22/T/SCT	Piñón Intermedio, Aluminio: 22/T/SCT
TLR336000	4mm Aluminum Serrated Lock Nuts, Black (6)	TLR 4mm Aluminium Stopmutter mit Flanch Schwarz 6St.	Ecrou auto-freiné épaulé M4, aluminium, noir (6)	Dado autobloccante seghettato 4mm, nero (6)	Tuercas 4mm aluminio con bloqueo, negras (6)
TLR5065	Bleeder Shock Caps, Alum (2): 22/T	TLR Stoßdämpferkappen Set (2): 22/T	22/T - Bouchons d'amortisseurs en aluminium avec purgeurs (2)	Tappo sfiato ammortizzatori, allum. (2): 22/T	Tapa superior amortiguador aluminio (2): 22/T
TLR5066	Bleeder Shock Cap Screw & Washers (4): 22/T	Stoßdämpfer volumenausgleichkappe, Schraube und Unterlegscheibe (4) 22/T	22/T - Vis de purge avec joints (4)	Vite e rondelle tappo sfiato ammortizzatore. (4): 22/T	Tornillo y arandela tapa superior amortiguador (4): 22/T
TLR5084	Rear Shock Body Set (2): 22	TLR Dämpfergehäuse-Set Hinten (2): 22	22 - Set de corps d'amortisseurs arrière (2)	Set corpo ammortizzatore poster. (2): 22	Cuerpo amortiguador trasero (2): 22
TLR5086	Shock Cap: Bottom (2): 22	TLR Stoßdämpferendkappe unten (2): 22	22 - Bouchon inférieur d'amortisseur (2)	Tappo ammort.: inferiore (2): 22	Tapa inferior amortiguador (2): 22
TLR5092	Upper Shock Bushing (4): 22	TLR Buchsen für Dämpfer: 22 (4)	22 - Entretoise supérieure d'amortisseur (4)	Boccola superiore ammort. (4): 22	Casquillo sujeción superior amortiguadores (4): 22
TLR5094	Shock Preload Adjuster Nut w/O-ring: 22	TLR Vorspannring Aluminium, 12mm Dämpfer	22 - Bague de réglage d'amortisseur avec joint torique	Dado regolazione precarico ammort. senza O-ring: 22	Tuerca ajuste amortiguador con tórica: 22
TLR5095	Shock End Set w/Spring Cups, 12mm Shock: 22	TLR Endkugelpfanne / Federteller, 12mm Dämpfer: 22	22 - Chapes et coupelles d'amortisseurs, 12mm	Terminale ammort. c/molla a tazza, 12mm: 22	Rótula y soporte muelle amortiguador 12mm: 22
TLR5096	Shock Limiter Set, 3.5mm Shaft: 22	TLR Einfederbegrenzung-Set, 3.5mm: 22	22 - Butées d'amortisseurs 3.5mm	Set limitatore ammort., albero 3,5mm.: 22	Limitadores amortiguador, vástago 3.5mm: 22
TLR5097	Shock Standoff (2): 22	TLR Dämpferhalter: 22	22 - Entretoise d'amortisseur (2)	Supporto ammortizzatore (2): 22	Sujeción superior amortiguador (2): 22
TLR5167	Rear Shock Spring, 2.0 Rate, Yellow	Dämpferfeder hinten, Federkonstante 2,0, gelb	Ressort d'amortisseurs arrière, jaune, dureté 2,0	Molla ammortizzatore, posteriore, 2,0 gialla	Muelle, Trasero, 2.0 Amarillo
TLR5183	Front Shock Spring, 3.8 Rate, Blue: 22T	TLR Federsatz vorne 3.8, blau: 22T	22T - Ressort d'amortisseurs avant, bleus, dureté 3,8	Molla ammort. anteriore, 3.8 Rate, blu: 22T	Muelle amortiguador delantero, dureza 3.8, azul
TLR5901	Button Head Screws, M3 x 6mm (10)	TLR Rundkopfschraube, M3 x 6mm (10)	Vis à tête bombée M3 x 6mm (10)	Viti testa tonda, M3 x 6mm (10)	Tornillo botón 3 x 6mm (10)
TLR5902	Button Head Screws, M3 x 8mm (10)	TLR Rundkopfschraube, M3 x 8mm (10)	Vis à tête bombée M3 x 8mm (10)	Viti testa tonda, M3 x 8mm (10)	Tornillo botón 3 x 8mm (10)
TLR5903	Button Head Screws, M3 x 10mm (10)	TLR Rundkopfschraube, M3 x 10mm (10)	Vis à tête bombée M3 x 10mm (10)	Viti testa tonda, M3 x 10mm (10)	Tornillo botón 3 x 10mm (10)
TLR5904	Button Head Screws, M3 x 12mm (10)	TLR Rundkopfschraube, M3 x 12mm (10)	Vis à tête bombée M3 x 12mm (10)	Viti testa tonda, M3 x 12mm (10)	Tornillo botón 3 x 12mm (10)
TLR5906	Button Head Screws, M3 x 35mm (10)	TLR Rundkopfschraube, M3 x 35mm (10)	Vis à tête bombée M3 x 35mm (10)	Viti testa tonda, M3 x 35mm (10)	Tornillo botón 3 x 35mm (10)
TLR5909	Button Head Screws, M3 x 16mm (10)	TLR Rundkopfschraube, M3 x 16mm (10)	Vis à tête bombée M3 x 16mm (10)	Viti testa tonda, M3 x 16mm (10)	Tornillo botón 3 x 16mm (10)
TLR5910	Button Head Screws, M3 x 14mm (10)	TLR Rundkopfschraube, M3 x 14mm (10)	Vis à tête bombée M3 x 14mm (10)	Viti testa tonda, M3 x 14mm (10)	Tornillo botón 3 x 14mm (10)
TLR5931	Cap Head Screws, M3 x 5mm (10)	TLR Zylinderkopfschraube, M3 x 5mm (10)	Vis BTR M3 x 5mm (10)	Viti testa a brugola, M3 x 5mm (10)	Tornillo redondo 3 x 5mm (10)
TLR5959	Flathead Screws, M2.5 x 16mm (10)	Flachkopfschrauben, M2,5 x 16mm (10)	Vis FHC M2.5 x 16mm	Viti a testa piatta, M2.5 x 16mm (10)	Tomillo cónico, M2.5 x 16mm (10)
TLR5960	Flat Head Screw, M2 x 6mm (10)	TLR Flachkopfschrauben, M2 x 6mm (10)	Vis à tête fraisée M2 x 6mm (10)	Vite a testa piatta, M2 x 6mm (10)	Tornillo cónico 2 x 6mm (10)
TLR5961	Flat Head Screw, M3 x 8mm (10)	TLR Flachkopfschrauben, M3 x 8mm (10)	Vis à tête fraisée M3 x 8mm (10)	Vite a testa piatta, M3 x 8mm (10)	Tornillo cónico 3 x 8mm (10)
TLR5962	Flat Head Screw, M3 x 10mm (10)	TLR Flachkopfschrauben, M3 x 10mm (10)	Vis à tête fraisée M3 x 10mm (10)	Vite a testa piatta, M3 x 10mm (10)	Tornillo cónico 3 x 10mm (10)
TLR5963	Flat Head Screw, M3 x 12mm (10)	TLR Flachkopfschrauben, M3 x 12mm (10)	Vis à tête fraisée M3 x 12mm (10)	Vite a testa piatta, M3 x 12mm (10)	Tornillo cónico 3 x 12mm (10)

Part #	English	Deutsch	Français	Italiano	Español
TLR5964	Flat Head Screw, M3 x 16mm (10)	TLR Flachkopfschrauben, M3 x 16mm (10)	Vis à tête fraisée M3 x 16mm (10)	Vite a testa piatta, M3 x 16mm (10)	Tornillo cónico 3 x 16mm (10)
TLR5965	Flat Head Screw, M3 x 20mm (10)	TLR Flachkopfschrauben, M3 x 20mm (10)	Vis à tête fraisée M3 x 20mm (10)	Vite a testa piatta, M3 x 20mm (10)	Tornillo cónico 3 x 20mm (10)
TLR6019	Ballstud/Hub Spacer Set, Aluminum: 22	TLR Distanzringe für Kugelkopf Aluminium: 22	22 - Rotules à visser et entretoises en aluminium	Perno sferico/set distanziali, alluminio: 22	Arandelas ajuste bola/mangueta aluminio: 22
TLR6023	Ball Stud, 4.8 x 10mm (4): 22	TLR Kugelkopf mit Gewinde 4.8 x 10mm (4): 22	22 - Rotules à visser 4,8 x 10mm (4)	Perno sferico, 4.8 x 10mm (4): 22	Bola con tornillo 4.8 x 10mm (4): 22
TLR6025	Ball Stud, 4.8 x 6mm (4): 22	TLR Kugelkopf mit Gewinde 4.8mm x 6mm (4): 22	22 - Rotules à visser 4,8 x 6mm (4)	Perno sferico, 4.8 x 6mm (4): 22	Bola con tornillo 4.8 x 6mm (4): 22
TLR6028	Ball Stud, Short Neck, 5mm (2)	TLR Kugelkopf mit Gewinde kurzen Hals, 5mm (2)	Rotules à visser courtes 5mm (2)	Perno sferico, Short Neck, 5mm (2)	Bola con tornillo cuello corto 5mm (2)
TLR6064	Turnbuckle, HD, 65mm (2): 22/22-4	TLR 22 3.0 Gewindestange HD, 65mm (2) : 22/22-4	22/22-4 - Bielles, renforcées, 65mm (2)	Tenditore, HD, 65mm (2): 22/22-4	Tirante, HD, 65mm (2): 22/22-4
TLR6105	E-Clips, 3mm Shaft (12)	Antriebsklammern, 3mm (12)	Clips pour arbre 3mm (12)	Clips 3 mm (12)	Clip para árbol, 3mm (12)
TLR6276	Set Screw, M2.5 x 5mm, Cup Point (10)	TLR Schraubenset, M2.5 x 5mm, Cup Point (10)	Vis sans tête bout bombé M2,5x5mm (10)	Grano, M2.5 x 5mm, punta piana (10)	Tornillo allen 2.5 x 5mm (10)
TLR6288	Set Screw, M3 x 2.5mm (10)	TLR Schraubenset, M3 x 2.5mm (10)	Vis sans tête, M3 x 2.5mm (10)	Grano, M3 x 2.5mm (10)	Tornillos allen, M3 x 2.5mm (10)
TLR6289	Set Screw, M3 x 5mm (10)	TLR Schraubenset, M3 x 5mm (10)	Vis sans tête, M3 x 5mm (10)	Grano, M3 x 5mm (10)	Tornillos allen, 3 x 5mm (10)
TLR6312	Locknut, M2.5 x .45 x 5mm (6)	TLR Mutter selbstsichernd M2.5 x .45 x 5mm (6)	Ecrou M2,5 x 0,45 x 5mm (6)	Dado autobloccante, M2.5 x .45 x 5mm (6)	Tuercas autobloccantes 2.5 x 0.45 x 5mm (6)
TLR6313	Locknut, M3 x .5 x 5.5mm (10)	TLR Mutter selbstsichernd M3 x .5 x 5.5mm (10)	Ecrou M3 x 0,5 x 5,5mm (10)	Dado autobloccante, M3 x .5 x 5.5mm (10)	Tuercas autobloccantes 3 x 0.5 x 5.5mm (6)
TLR6352	Washers, M3 (10)	TLR U-Scheibe, M3 (10)	Rondelles M3 (10)	Rodelle, M3 (10)	Arandelas M3 (10)
TLR6932	5x10x4mm HD Bearings (2)	TLR Kugellager 5 x 10 x 4mm (2)	Roulements renforcés 5 x 10 x 4mm (2)	5x10x4mm HD Cuscinetti (2)	Rodamientos HD 5 x 10 x 4mm (2)
TLR7002	Front/Rear Wheel, Yellow: 22T	Rad v/h, gelb: 22T	22T-Jantes av/arr, jaunes	Cerchione ant./post., giallo: 22T	Llantas delanteras y traseras, amarilla: 22T
TLR74007	Silicone Shock oil, 32.5wt, 2oz	Silikonstoßdämpferöl, 32.5wt, 2 oz	Huile silicone d'amortisseur, 32,5wt, 60 ml	Olio silicone ammortizzatori, 32.5wt, 2oz	Aceite amortiguador silicona 32.5wt, 2oz
TLR76004	TLR Lok, Threadlock, Blue	TLR Schraubensicherungslack Blau	Frein filet TLR Lok, bleu	TLR Lok, frenafilet, blu	Fijatornillo TLR Lok, azul
TLR77000	High-Pressure Black Grease, 8cc	TLR High-Pressure Fett Schwarz/8cc	Graisse noire haute pression, 8cc	Grasso nero alta pressione, 8cc	Grasa negra alta presión 8cc
TLR8202	Body Clips, Black (12): 22	TLR Karosseriekammern Schwarz (12): 22	22 - Clips de carrosserie noirs (12)	Clips carrozzeria, neri (12): 22	Clips carrocería negros (12): 22
VTR235014	M2.5 x 10mm Cap Head Screw (10)	Rundkopfschrauben M2,5x10 mm (10 Stk)	Vis CHC, M2,5 x 10mm (10)	Vite con testa a brugola, M2,5 x 10mm (10)	Tornillo redondo M2.5 x 10mm (10)

OPTIONAL PARTS / DIVERSE TEILE / PIECES OPTIONNELLES / PARTI OPZIONALI / OPCIONES

Part #	English	Deutsch	Français	Italiano	Español
TLR1049	Brass Kick Angle Shim, 25 Degrees: 22	TLR Brass Kick Angle Distanzstück 25°: 22	22 - Cales de chasse en bronze, 25°	Spessore in ottone per inclinazione 25 gradi: 22	Placa delantera latón 25° kick: 22
TLR1072	Front Pivot, Aluminum: 22	TLR Querlenkerhalter, Aluminum: 22	22 - Cale de pincement avant en aluminium	Perno anteriore, allum.: 22	Soporte trapecios delanteros, aluminio: 22
TLR1101	Front Pivot & Brace, 30 Degree: 22, 22T	Querlenker Vorne und halter, 30°: 22, 22T	22, 22T - Axes de suspension avant avec renfort, 30°	Perno anteriore e supporto, 30 gradi: 22, 22T	Trapecios delanteros y Soporte, 30 grados: 22, 22T
TLR1555	Servo Horn, 23T, Aluminum: 22	TLR Servohorn/23T/Aluminum: 22	22 - Bras de servo 23T en aluminium	Squadretta servo alluminio, 23T: 22	Brazo servo aluminio 23T: 22
TLR1556	Servo Horn, 24T, Aluminum: 22	TLR Servo Horn 24T Aluminum: 22	22 - Bras de servo 24T en aluminium	Squadretta servo alluminio, 24T: 22	Brazo servo aluminio 24T: 22
TLR1557	Servo Horn, 25T, Aluminum: 22	TLR Servo Horn 25T Aluminum: 22	22 - Bras de servo 25T en aluminium	Squadretta servo alluminio, 25T: 22	Brazo servo aluminio 25T: 22
TLR2059	Front Camber Block, Aluminum, 22/22T	TLR Halter vorne/oben, Aluminum: 22/22T	Bloc de carrossage avant en aluminium	Blocco camber anter. alluminio, 22/22T	Tabica camber delantera aluminio: 22/22T
TLR232000	Complete Ball Diff, Tungsten Balls: 22/T/SCT	TLR Kugeldiff Komplett mit Tungstenkugeln: 22/T/SCT	22/T/SCT - Différentiel complet à billes tungstène	Sfere in tungsteno per differenziale: 22/T/SCT	Diferencial completo con bolas de tungsteno: 22/T/SCT

Part #	English	Deutsch	Français	Italiano	Español
TLR232001	Diff Service Kit, Tungsten Balls: 22/T/SCT	TLR : 22/T/SCT Diff Service Kit, Wolframkugeln	22/T/SCT - Kit de réfection de différentiel, billes tungstène	Kit manutenzione diff., sfere in tungsteno: 22/T/SCT	Kit reparación diferencial con bolas de tungsteno: 22/T/SCT
TLR232009	HDS Spur Gear, 76T 48P, Kevlar: All 22	TLR HDS Zahnrad 76T 48P Kevlar: alle 22	22 - Couronne Kevlar HDS, 76T 48P	Corona HDS, 76T 48P, Kevlar: tutte le 22	Corona HDS 76T 48P kevlar: Todos 22
TLR232010	HDS Spur Gear, 78T 48P, Kevlar: All 22	TLR HDS Zahnrad 78T 48P Kevlar: alle 22	22 - Couronne Kevlar HDS, 78T 48P	Corona HDS, 76T 48P, Kevlar: tutte le 22	Corona HDS 78T 48P kevlar: Todos 22
TLR232012	HDS Spur Gear, 84T 48P, Kevlar: All 22	TLR HDS Zahnrad 84T 48P Kevlar: alle 22	22 - Couronne Kevlar HDS, 84T 48P	Corona HDS, 84T 48P, Kevlar: All 22	Corona HDS 84T 48P kevlar: Todos 22
TLR233008	Shock Piston 12mm 1.5x2 CNC Machined (4): All22,SCTE	TLR Stoßdämpferkolben 12mm 1.5 x2 CNC gefertigt (4), alle 22, SCTE	22, SCTE - Pistons d'amortisseurs usinés CNC diamètre 12mm, 1,5 x 2 trous (4)	Pistone ammort. 12mm 1.5x2 lavorato CNC (4): Tutti 22,SCTE	Pistón amortiguador CNC mecanizada 12mm 1.5 x 2 (4): 22 Todos, SCTE
TLR233010	Shock Piston 12mm 1.7x2 CNC Machined(4):All22,SCTE	TLR Stoßdämpferkolben 12mm 1.7 x2 CNC gefertigt (4) Alle 22, SCTE	22, SCTE - Pistons d'amortisseurs usinés CNC diamètre 12mm, 1,7 x 2 trous (4)	Pistone ammortizzatore 12mm 1.7x2 fresato (4): All 22,SCTE	Pistón amortiguador 12mm 1.7 x 2 mecanizado CNC (4): Todos 22, SCTE
TLR233011	Shock Piston 12mm Blank CNC Machined(4):All22,SCTE	TLR Stoßdämpferkolben 12mm CNC gefertigt (4) Alle 22, SCTE	22, SCTE - Pistons d'amortisseurs usinés CNC diamètre 12mm, à percer (4)	Pistone ammortizzatore 12mm Blank fresato (4): All 22,SCTE	Pistón amortiguador 12mm mecanizado CNC (4): Todos 22, SCTE
TLR233013	Rear Spring Set, Low Frequency (4 pair): 22/2.0	TLR Federset hinten. Geringe Federate (4 paar) 22/2.0	22/2.0 - Set de ressorts arrière basse fréquence, (4 paires)	Set molle posteriori, bassa frequenza (4 coppie): 22/2.0	Muelles traseros, Baja Frecuencia (4 pares): 22/2.0
TLR233017	Shock Piston 12mm 1.3x3 CNC Machined(4): All 22, SCTE	TLR Stoßdämpferkolben 12mm 1.3x3 CNC gefertigt (4) Alle 22, SCTE	22/SCTE - Pistons d'amortisseurs usinés CNC diamètre 12mm 1.3 x 3 à percer (4)	Pistone ammortizzatore 12mm 1.3x3 Blank fresato (4): All 22,SCTE	Pistón amortiguador 12mm 1.3x3 mecanizado CNC (4): Todos 22, SCTE
TLR233018	Shock Piston 12mm 1.4x3 CNC Machined(4):All22,SCTE	TLR Stoßdämpferkolben 12mm 1.4x3 CNC (4) alle 22, SCTE	22/SCTE - Pistons d'amortisseurs usinés CNC diamètre 12mm 1.4x3 trous (4)	Pistone ammortizzatore 12mm 1.4x3 prodotto con CNC (4): All 22,SCTE	Pistón amortiguador CNC mecanizado 12mm 1.4x3 (4): Todos 22, SCTE
TLR233020	Front Spring Set, Hard (3 pair): 22T/SCT	TLR Federset vorne, hart (3 Paar): 22T/SCT	22T/SCT - Ressorts d'amortisseurs avant, durs (3 paires)	Set Molle Anteriori, Dure (3 coppie): 22T/SCT	Muelle delantero, duro (3 pares): 22T/SCT
TLR234049	Caster Block Set, 0 degrees: 22 3.0	TLR 22 3.0 Caster Block Set 0°: 22 3.0	22 3.0 - Etriers porte-fusées, 0 degrés	Set blocco caster, 0 gradi: 22 3.0	Mangueta, 0 grados: 22 3.0
TLR2933	Rear Hex, Standard Width, Aluminum: 22SCT	Spurverbreiterung, Standard, Aluminium: 22SCT	22SCT - Hexagone arrière standard en aluminium	Esagono posteriore, larghezza standard, alluminio: 22SCT	Hexágonos rueda trasera, estándar, Aluminium: 22SCT
TLR2934	Rear Hex, +.75mm Width, Aluminum: 22SCT	TLR Spurverbreiterung +.75mm Breite Aluminium: 22SCT	22SCT-Hexagone arrière en aluminium, largeur +0,75mm	Esagono poster., largo +.75mm, alluminio: 22SCT	Hexágonos rueda trasera +0.75mm aluminio: 22SCT
TLR2950	Hex Differential Wrench, Aluminum: 22	TLR Diff Einstellschlüssel, Aluminium: 22	22 - Clé hexagonale pour différentiel	Chiave esagonale differenziale, alluminio: 22	Llave ajuste diferencial aluminio, 22
TLR2990	22/22T Slipper Adjustment Tool	TLR 22/22T Slipper Einstellwerkzeug	22/22T - Outil de réglage du slipper	22/22T Slipper Adjustment Tool	Herramienta ajuste slipper 22/22T
TLR331016	Bellcranks & Drag Link, Alum: 22/T/SCT 2.0	Lenkhebel und Zugstange, Aluminium: 22/T/SCT 2.0	22/T/SCT 2.0 - Renvoi de direction	Bellcranks & Drag Link Alluminio 22/T/SCT 2.0	Manivela de campana y biela de arrastre, alu: 22/T/SCT 2.0
TLR331019	Servo Mount, Chassis Brace, Alum: 22 3.0	Servohalter, Chassisalter, Aluminium: 22 3.0	22 3.0 - Support servo, Renfort de châssis, Aluminium	Supporto Servo Alluminio: 22 3.0	Soporte Servo y Chasis, alu: 22 3.0
TLR331021	Battery Strap, Carbon Fiber/ Alum: 22 3.0	Akkualter, Kohlefaser/ Aluminium: 22 3.0	22 3.0 - Support de batterie, fibre de carbone/aluminium	Fascetta fissaggio batteria, fibra di carbonio/alluminio: 22 3.0	Aoporte de batería, fibra de carbono/ Aluminium: 22 3.0
TLR332016	Pinion Gear 16T, 48P, AL	TLR 22 3.0 Ritzel 16 Zähne 48P	Pignons 16 dents, 48DP, aluminium	Pignone 16T, 48P, AL	Piñón 16T, 48P, Aluminio
TLR332017	Pinion Gear 17T, 48P, AL	TLR 22 3.0 Ritzel 17 Zähne 48P	Pignons 17 dents, 48DP, aluminium	Pignone 17T, 48P, AL	Piñón 17T, 48P, Aluminio
TLR332018	Pinion Gear 18T, 48P, AL	TLR 22 3.0 Ritzel 18 Zähne 48P	Pignons 18 dents, 48DP, aluminium	Pignone 18T, 48P, AL	Piñón 18T, 48P, Aluminio
TLR332024	Pinion Gear 24T, 48P, AL	TLR 22 3.0 Ritzel 24 Zähne 48P	Pignons 24 dents, 48DP, aluminium	Pignone 24T, 48P, AL	Piñón 24T, 48P, Aluminio
TLR332025	Pinion Gear 25T, 48P, AL	TLR 22 3.0 Ritzel 25 Zähne 48P	Pignons 25 dents, 48DP, aluminium	Pignone 25T, 48P, AL	Piñón 25T, 48P, Aluminio
TLR332043	Direct Drive System, Set: All 22	Direktantrieb System: alle 22	22 - Système à entraînement direct	Set sistema trasmissione diretta: tutte le 22	Sistema de accionamiento directo
TLR332054	4-Gear Conversion Kit: 22 3.0	TLR 22 3.0 Umbaukit 4-stufen Getriebe	22 3.0 - Kit de conversion pour transmission 4 étages	Kit conversione 4 ingranaggi: 22 3.0	Conversión Transmisión 4-Engranajes: 22 3.0
TLR332066	Front Axle Set Aluminum, 12mm Hex: 22T 3.0	TLR 22 3.0 Vorderachse Aluminium 12mm Inbus: 22T 3.0	22T 3.0 - Axe de roues avant, Aluminium, 12mm Hex	Set assale anteriore, alluminio, 12mm Hex: 22T 3.0	Eje Rueda Delantero, Aluminio, Hexágono 12mm: 22T 3.0
TLR332067	Complete 2wd Gear Diff, Aluminum Gear: All 22	Diff Ritze Komplett: alle 22	22 - Différentiel à pignons complets 2WD, alu	Ingranaggio differenziale 2WD completo, alluminio: tutte le 22	Piñón diferencial 2wd completo, alu: Todos 22

Part #	English	Deutsch	Français	Italiano	Español
TLR334015	Front Pivot, HRC, Aluminum: 22/2.0/T/SCT	TLR: Querlenkerhalter vorne HRC, Alu 22/2.0/T/SCT	22/2.0/T/SCT - Cale de pincement avant HRC en aluminium	Perno anteriore, HRC, alluminio: 22/2.0/T/SCT	Soporte trapecios delanteros aluminio HRC: 22/2.0/T/SCT
TLR334020	Front Pivot 25 deg, 50g Brass: 22/2.0/T/SCT	TLR Querlenkerhalter 25°, 50g: 22/2.0/T/SCT	22/2.0/T/SCT - Cale de chasse 25°, lest 50g	Perno anter. 25 gradi, ottone 50g: 22/2.0/T/SCT	Soporte trapecios delanteros 25°, latón 50g: 22/2.0/T/SCT
TLR334033	Rear Pivot Block Set, HRC, Aluminum: 22 3.0	TLR 22 3.0 Querlenkerhalterset hinten HRC. Aluminium 22 3.0	22 3.0 - Cales de pincement arrière, HRC, Aluminium	Set blocco perno posteriore, HRC, alluminio: 22 3.0	Soporte Trasero de Pivote, HRC, Aluminio: 22 3.0
TLR334034	Rear Toe Plate, -2 degrees, LRC, Alum: 22 3.0	TLR 22 3.0 Querlenkerhalter -2°, LRC Aluminium	22 3.0 - Cales de pincement arrière LRC -2° en aluminium	Piastra convergenza posteriore, -2 gradi, LRC, allum. : 22 3.0	Placa Convergencia Trasera, -2 Grados, LRC, Aluminio: 22 3.0
TLR334035	Brass Weight, Hinge Pin Brace, LRC +30g: 22 3.0	Messinggewicht Hinge Pin Brace, LRC +30g: 22 3.0	22 3.0 - Cale de pincement + 30g pour moteur central LRC	Peso di ottone, piastrina, LRC +30 g: 22 3.0	Pasadores trapecios trasero, latón + 30g: 22 3.0
TLR334036	Rear Toe Plate, -2 degrees, HRC, Alum: 22 3.0	TLR 22 3.0 Querlenkerhalter -2°, HRC Aluminium	22 3.0 - Cales de pincement arrière HRC -2° en aluminium	Piastra Posteriore Convergenza -2 Gradi, HRC, Alluminio: 22 3.0	Placa base Trasera, -2 Grados, HRC, Aluminio: 22 3.0
TLR336001	4mm Aluminum Serrated Lock Nuts, Blue (6)	TLR 4mm Aluminium Stopmutter mit Flansch Blau (6).	Ecrou auto-freiné épaulé M4, aluminium, bleu (6)	Dado autobloccante 4mm dentellato, blu (6)	Tuercas 4mm aluminio con bloqueo, azul (6)
TLR336002	TLR 22 Series Hardware Box, Metric: 22/T/SCT/22-4	TLR22 Serie Kleinteilebox Metrisch: 22/T/SCT/22-4	22/T/SCT/22 -4 - Boite de visserie métrique pour TLR 22	TLR22 Set Hardware Metrico 22/T/SCT/22-4	TLR22 Caja de tornillos, métrico 22/T/SCT/22-4
TLR336004	M3 Aluminum Lock Nuts, Black (10)	M3 Aluminum Stopmmuttern Schwarz (10)	Écrou auto-freiné M3 en aluminium, noir (10)	Dadi autobloccanti allum. M3, neri (10)	Tuerca de bloqueo M3 en aluminio, negra (10)
TLR336005	M3 Flanged Aluminum Lock Nuts, Black (10)	M3 Aluminium Stopmutter mit Bund Schwarz (10)	Écrou auto-freiné épaulé M3 en aluminium, noir (10)	Dadi autobloccanti allum. flangiati M3, neri (10)	Tuerca de bloqueo embrizada M3 en aluminio, negra (10)
TLR4166	Titanium Shock Mounts (4): 22	TLR Titan Dämpferbefestigung (4): 22	22 - Fixations d'amortisseurs en titane	Supporti ammortizzatori in titanio (4): 22	Sujeción superior amortiguadores titanio (4): 22
TLR5099	Shock Tool Kit, Aluminum: 12mm Shock	TLR Dämpfer Werkzeugset, Aluminium: 12mm Dämpfer	Set d'outillage pour amortisseurs 12mm	Kit attrezzi ammortizz. 12mm, alluminio	Herramientas amortiguador 12mm aluminio
TLR5166	Rear Shock Spring, 1.8 Rate, White	Dämpferfeder hinten weiss, 1.8 Rate	Ressorts arrières, dureté 1,8, blancs	Molle ammort. posteriori, gradazione 1.8, Bianche	Muelle amortiguador trasero, durezo 1.8, blanco
TLR5168	Rear Shock Spring, 2.3 Rate, Pink	TLR Federnpaar Hinten, 2.3 Race, Pink	Ressorts arrière, dureté 2.3, rose	Molle ammort. posteriori, grado 2.3 colore rosa.	Muelle amortiguador trasero, durezo 2.3, rosa
TLR5182	Front Shock Spring, 3.5 Rate, Green: 22T	TLR Feder Vorne 3.5 Rate, Grün: 22T	22T - Ressorts avant, dureté 3.5, vert	Molle ammort. anteriori, grado 3.5, colore verde.	Muelle amortiguador delantero, durezo 3.5, verde: 22T
TLR5184	Front Shock Spring, 4.1 Rate, Black: 22T	TLR Federnsatz Vorn 4.1 Schwarz: 22T	22T - Ressorts avant, dureté 4.1, noir	Molle ammort. anteriori, grado 4.1, colore nero.	Muelle amortiguador delantero, durezo 4.1, negro: 22T
TLR6030	Titanium Ball Stud, 4.8 x 6mm (2)	TLR Titan Kugelköpfe, 4.8 x 6mm (2)	Rotule en titane, 4,8 x 6mm (2)	Perno sferico, titanio, 4.8 x 6mm (2)	Bola con tornillo 4.8 x 6mm (2)
TLR6032	Titanium Ball Stud, 4.8 x 10mm (2)	TLR Titan Kugelköpfe, 4.8 x 10mm (2)	Rotule en titane, 4,8x10mm (2)	Perno sferico, titanio, 4.8 x 10mm (2)	Bola con tornillo 4.8 x 10mm (2)
TLR7003	Front/Rear Wheel, White: 22T	Rad v/h Weiss:22T	22TJantes av/arr, blanches	Cerchione ant./post, bianco: 22T	Llantas delanteras y traseras, blancas: 22T
TLR72000	Ball Cup Wrench, 4.8mm: 22/T/SCT	TLR Kugelkopf Inbus 4.8mm 22/T/SCT	22/T/SCT-Clé pour rotules 4.8mm	Chiave per attacco a sfera, 4.8mm: 22/T/SCT	Llave rótulas 4.8mm: 22/T/SCT
TLR74004	Silicone Shock oil, 25wt, 2oz	Silikonstoßdämpferöl, 25wt, 2 oz	Huile silicone d'amortisseur, 25wt, 60 ml	Olio silicone ammortizzatori, 25wt, 2oz	Aceite amortiguador silicona 25wt, 2oz
TLR74005	Silicone Shock oil, 27.5wt, 2oz	Silikonstoßdämpferöl, 27,5wt, 2 oz	Huile silicone d'amortisseur, 27,5wt, 60 ml	Olio silicone ammortizzatori, 27.5wt, 2oz	Aceite amortiguador silicona 27.5wt, 2oz
TLR74006	Silicone Shock oil, 30wt, 2oz	Silikon Stoßdämpfer Öl, 30wt, 2oz	Huile silicone d'amortisseur, 30wt, 60 ml	Olio silicone ammortizzatore, 30wt, 2oz	Aceite silicona amortiguador 30wt, 2oz
TLR74008	Silicone Shock oil, 35wt, 2oz	Silikonstoßdämpferöl, 35wt, 2 oz	Huile silicone d'amortisseur, 35wt, 60 ml	Olio silicone ammortizzatori, 35wt, 2oz	Aceite amortiguador silicona 35wt, 2oz
TLR74009	Silicone Shock Oil, 37.5wt, 2oz	Silikonstoßdämpferöl, 37.5wt, 2 oz	Huile silicone d'amortisseur, 37.5wt, 60 ml	Olio silicone ammortizzatori, 37.5wt, 2oz	Aceite amortiguador silicona 37.5wt, 2oz
TLR99014	TLR Foam Pit Mat	TLR Schraubermitte Schaum	Tapis de stand en mousse TLR	Stuoia gommapiuma TLR	Base de trabajo foam TLR
TLR99101	Shock Shaft Pliers	TLR Zange für Dämpferkolbenstange	Pince à tige d'amortisseur	Pinze albero ammortizzatore	Alicates para vástagos amortiguador
TLR99102	Turnbuckle Wrench, 22, 8ight, XXX	TLR Stellschlüssel für Gewindestift, 3.5, 4, 5mm	Clé à biellettes 3.5mm, 4mm, 5mm	Chiave per tenditore, 22, 8ight, XXX	Llave tirantes: 22, 8ight, XXX