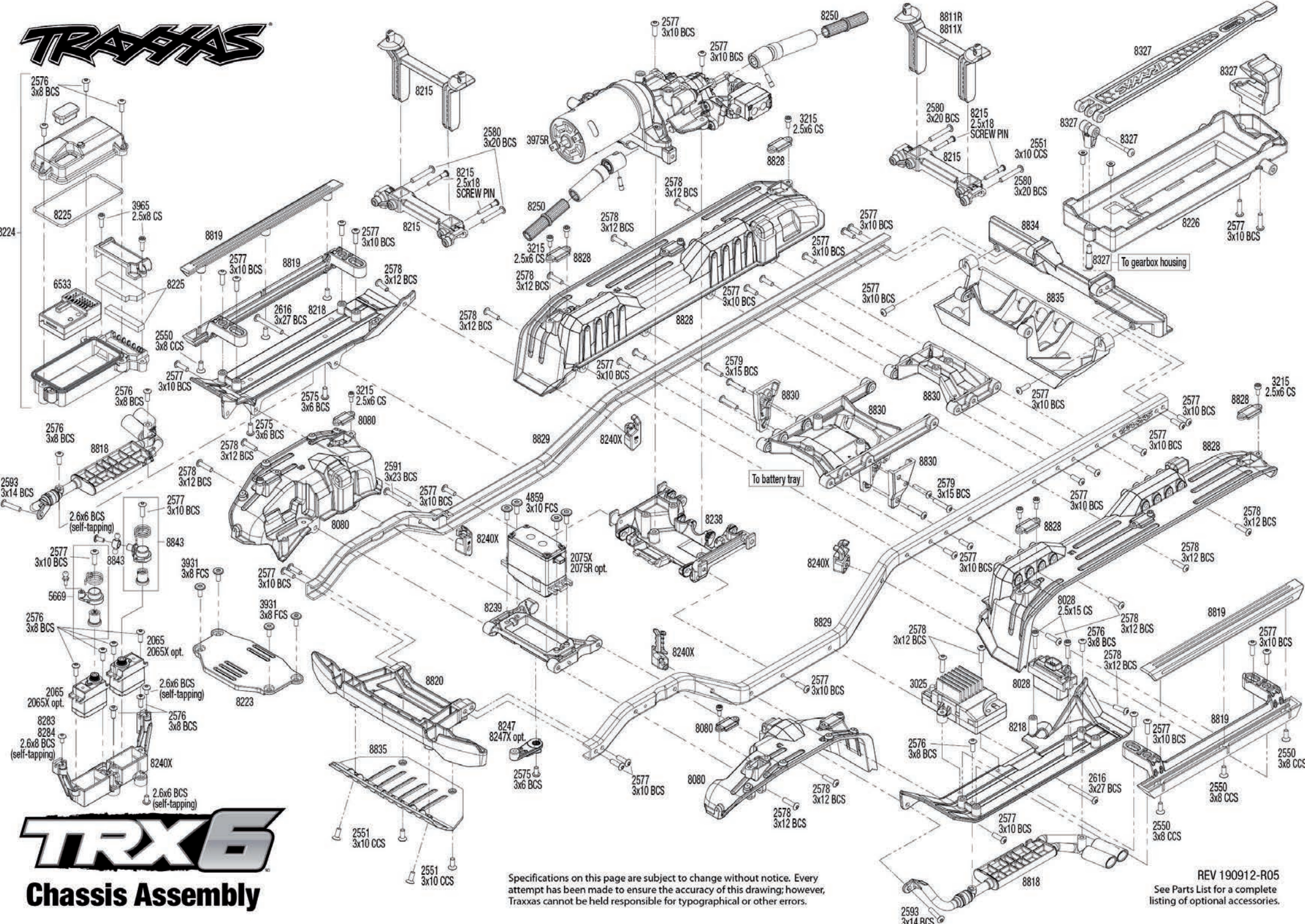


# TRAXXAS



## TRX6 Chassis Assembly

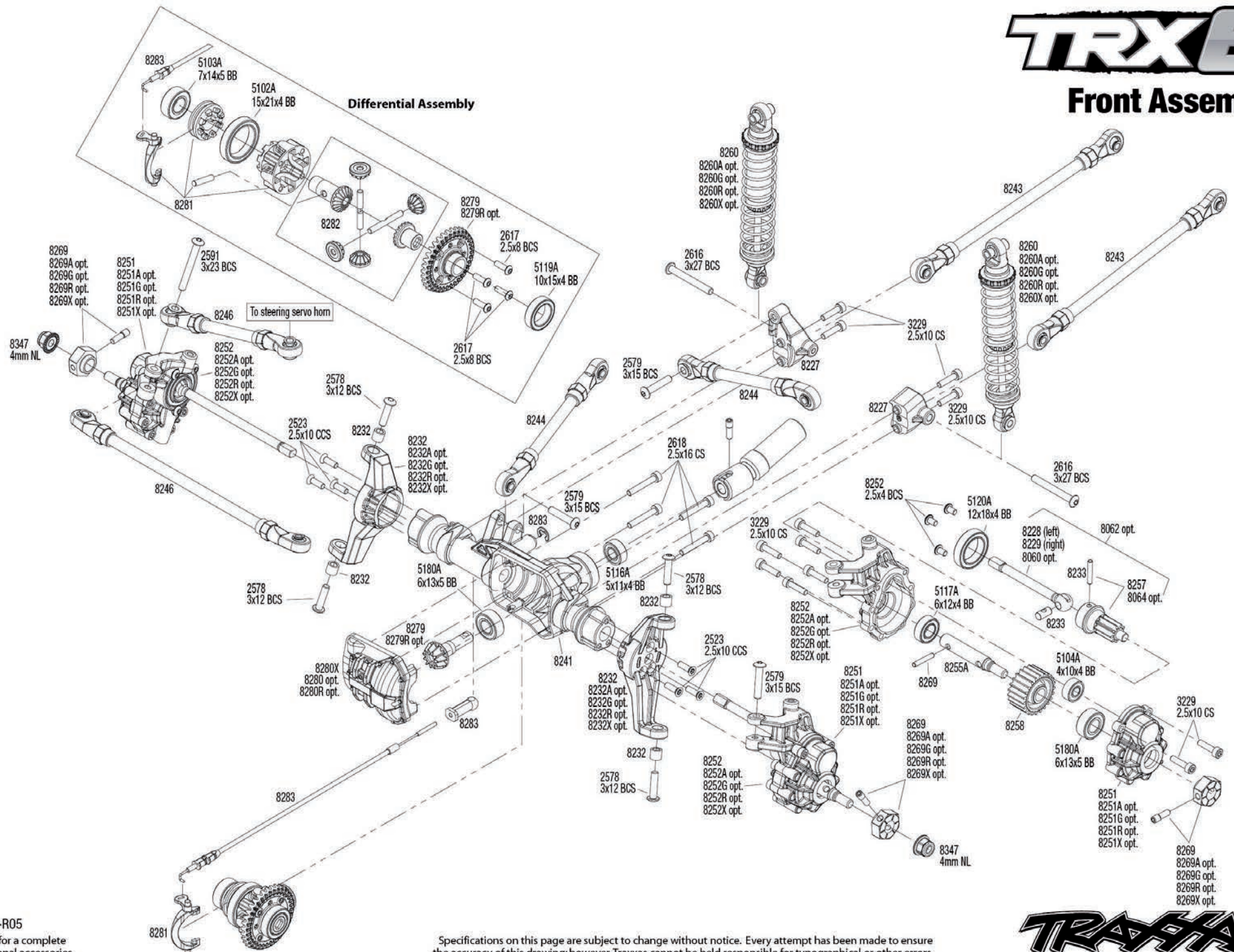
Specifications on this page are subject to change without notice. Every attempt has been made to ensure the accuracy of this drawing; however, Traxxas cannot be held responsible for typographical or other errors.

REV 190912-R05  
See Parts List for a complete listing of optional accessories.



# TRX6

## Front Assembly



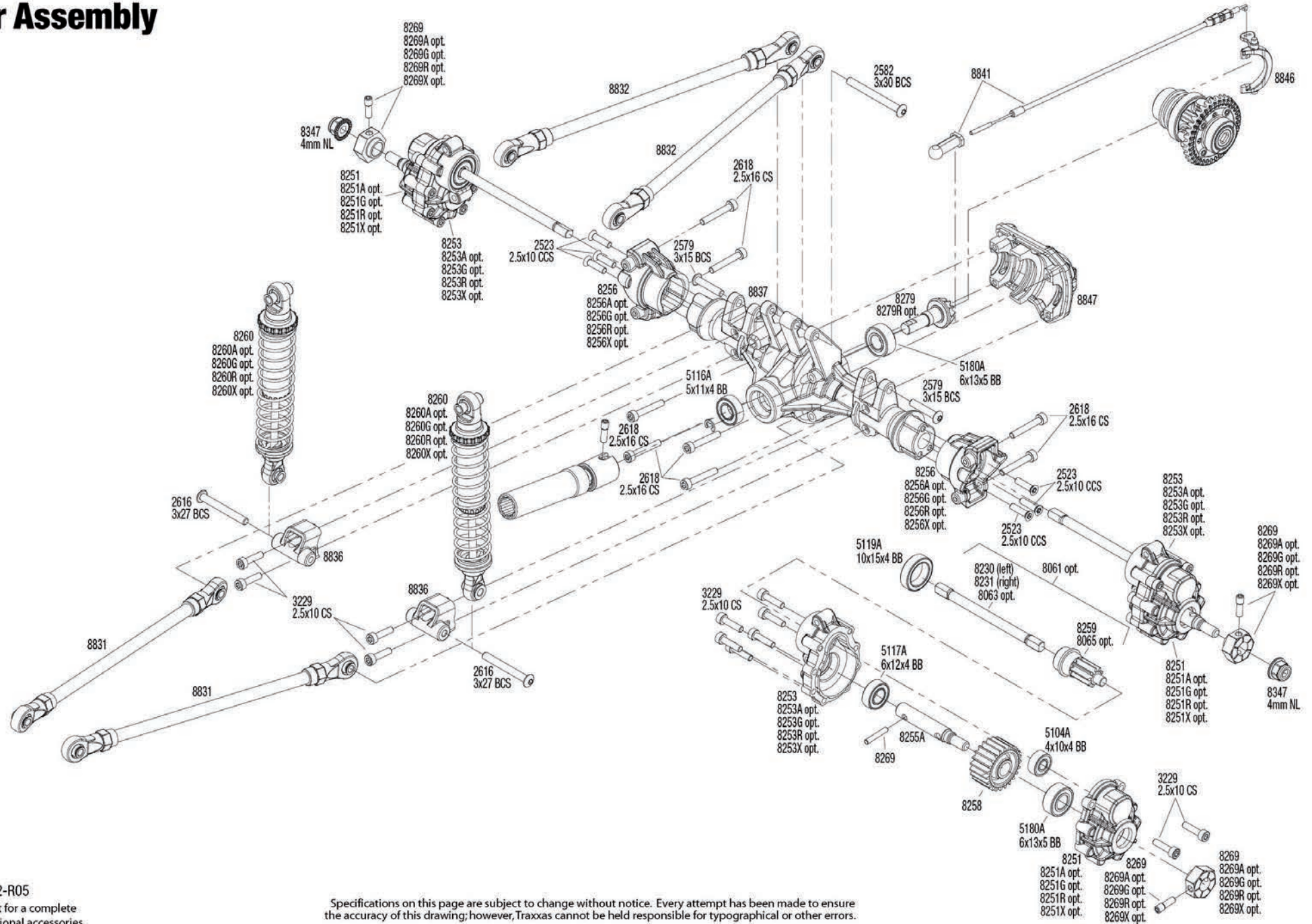
REV 190912-R05  
See Parts List for a complete listing of optional accessories.

Specifications on this page are subject to change without notice. Every attempt has been made to ensure the accuracy of this drawing; however, Traxxas cannot be held responsible for typographical or other errors.





## Rear Assembly

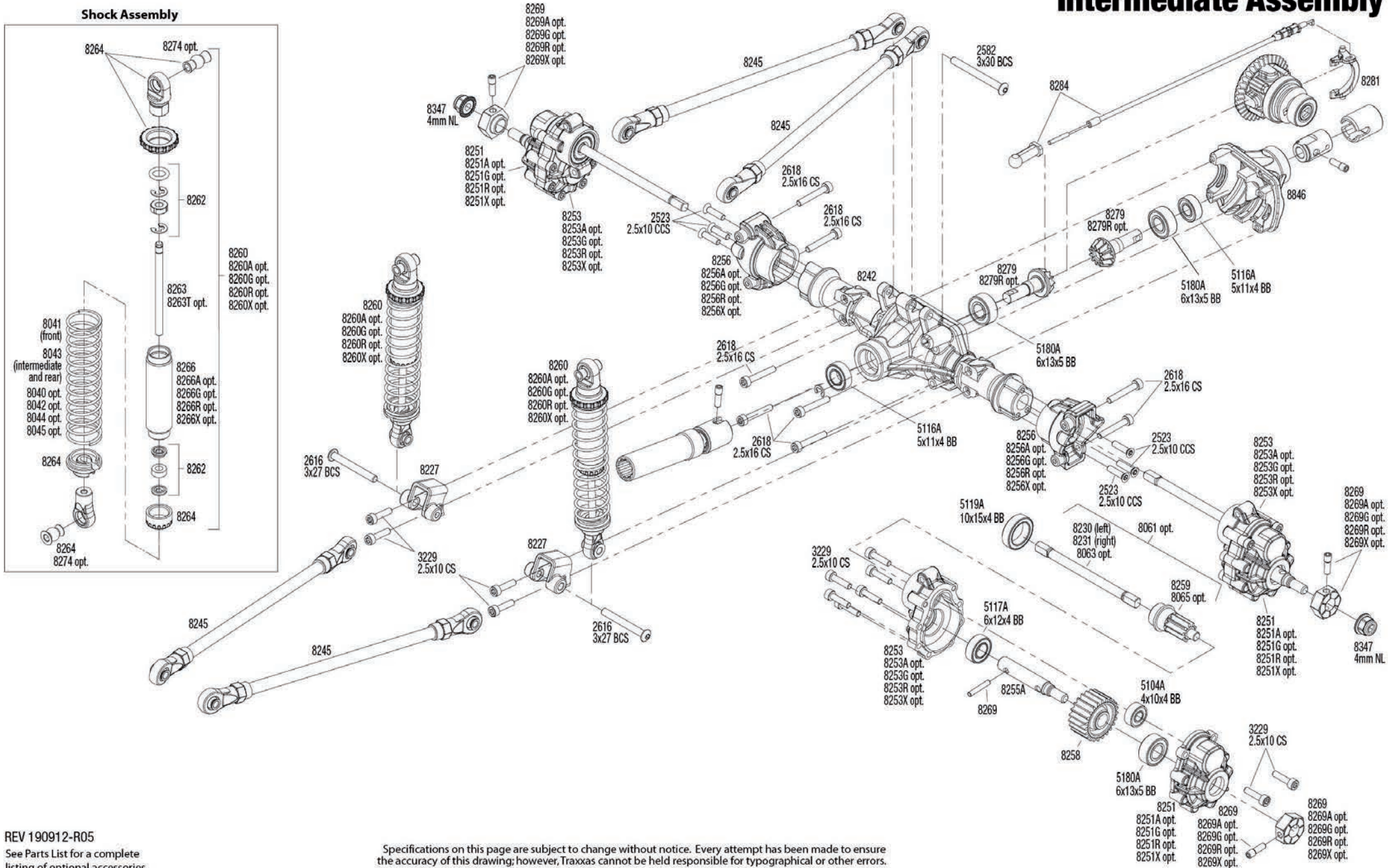


REV 190912-R05

See Parts List for a complete listing of optional accessories.

Specifications on this page are subject to change without notice. Every attempt has been made to ensure the accuracy of this drawing; however, Traxxas cannot be held responsible for typographical or other errors.

## Intermediate Assembly



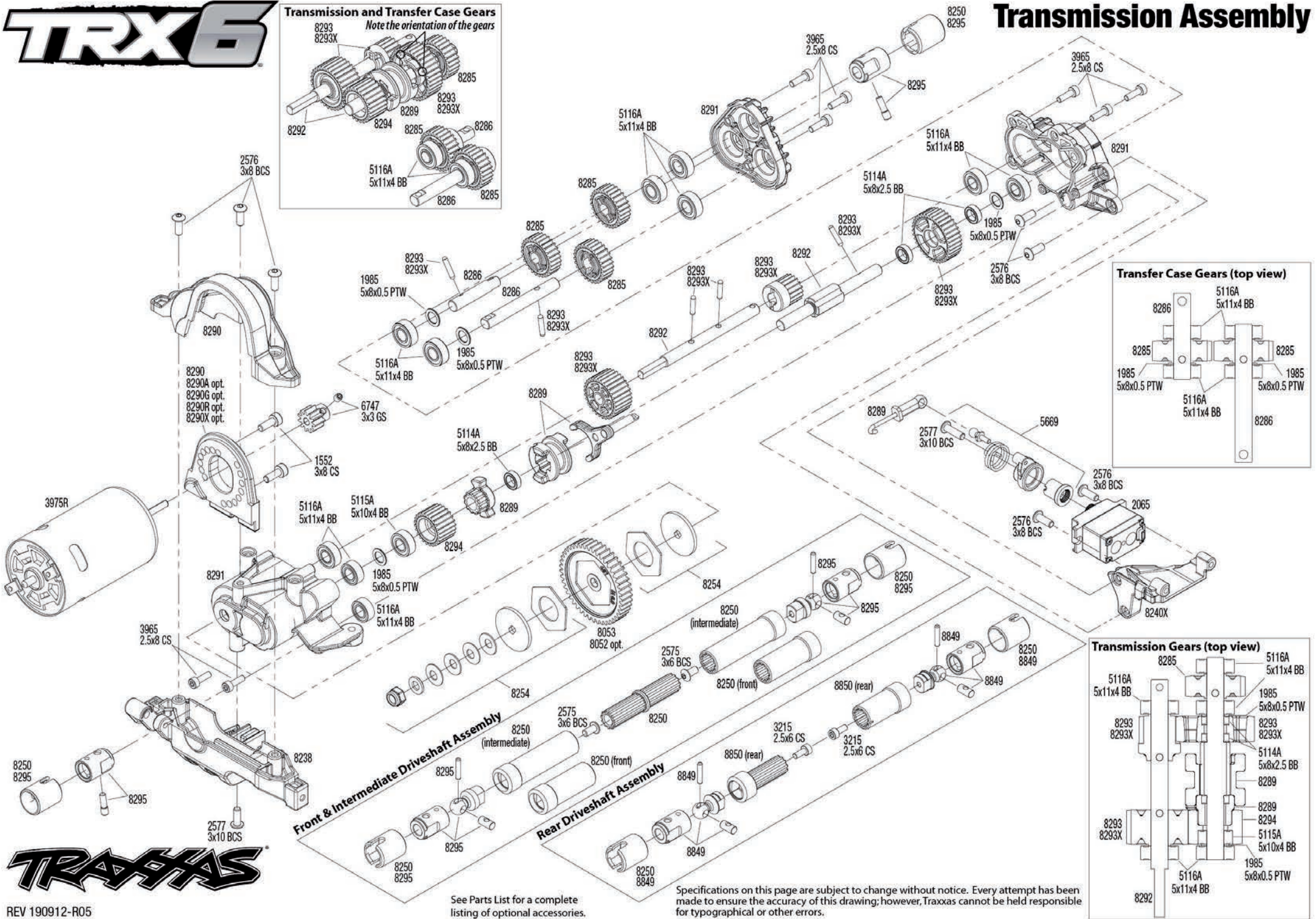
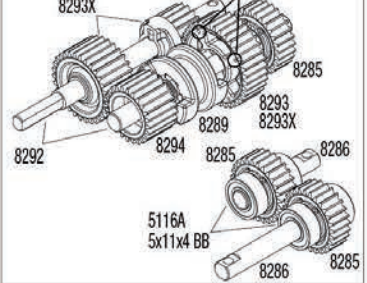




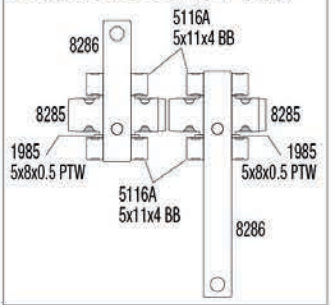
# Transmission Assembly

**Transmission and Transfer Case Gears**

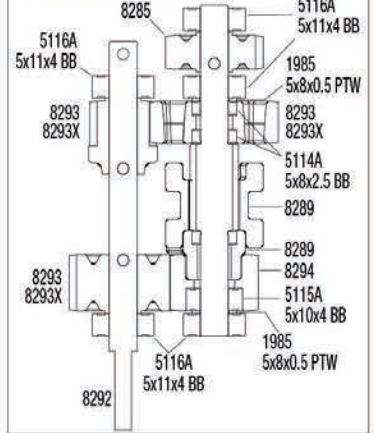
*Note the orientation of the gears*



**Transfer Case Gears (top view)**



**Transmission Gears (top view)**



**Front & Intermediate Driveshaft Assembly**

**Rear Driveshaft Assembly**

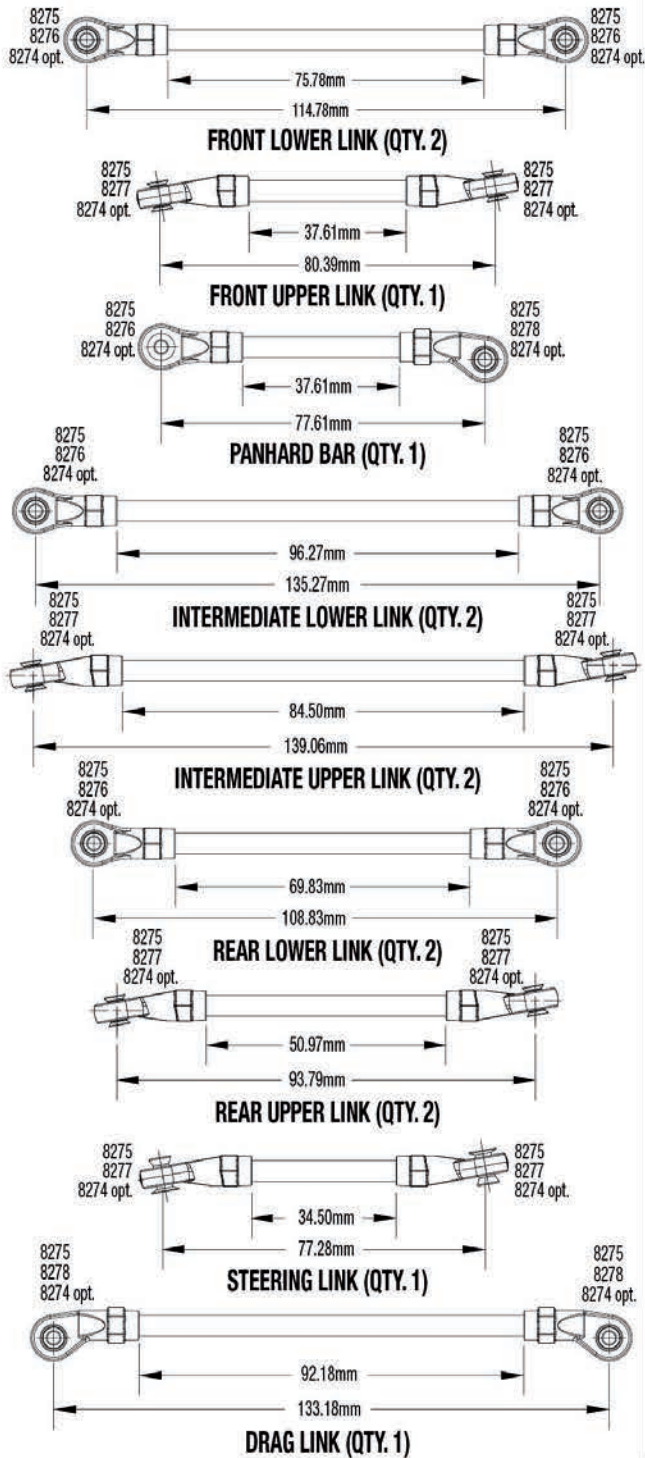
See Parts List for a complete listing of optional accessories.

Specifications on this page are subject to change without notice. Every attempt has been made to ensure the accuracy of this drawing; however, Traxxas cannot be held responsible for typographical or other errors.

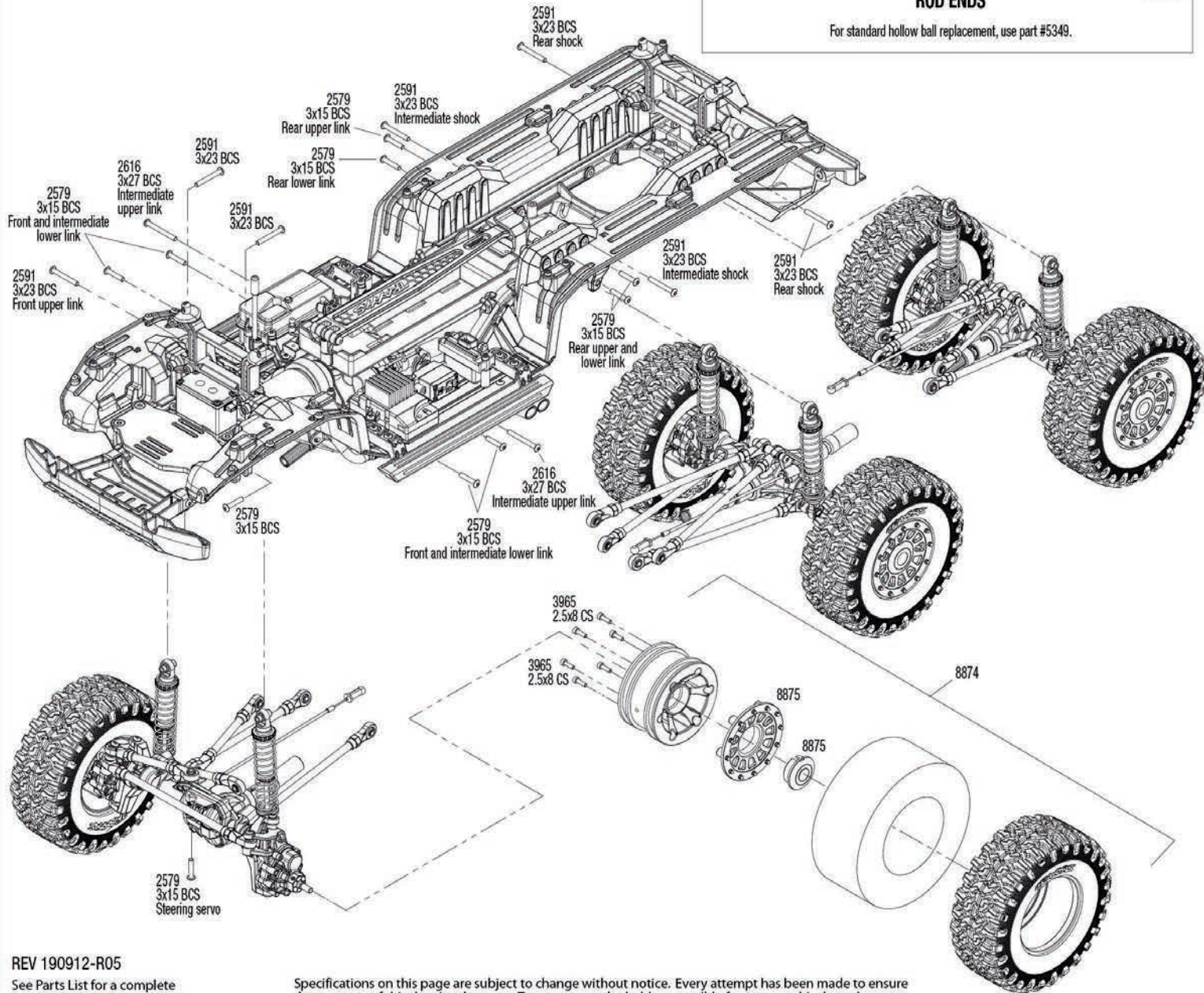
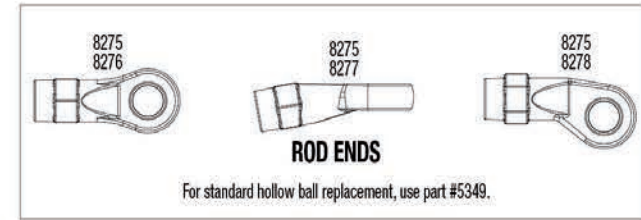




# Link Dimensions



# Modular Assembly



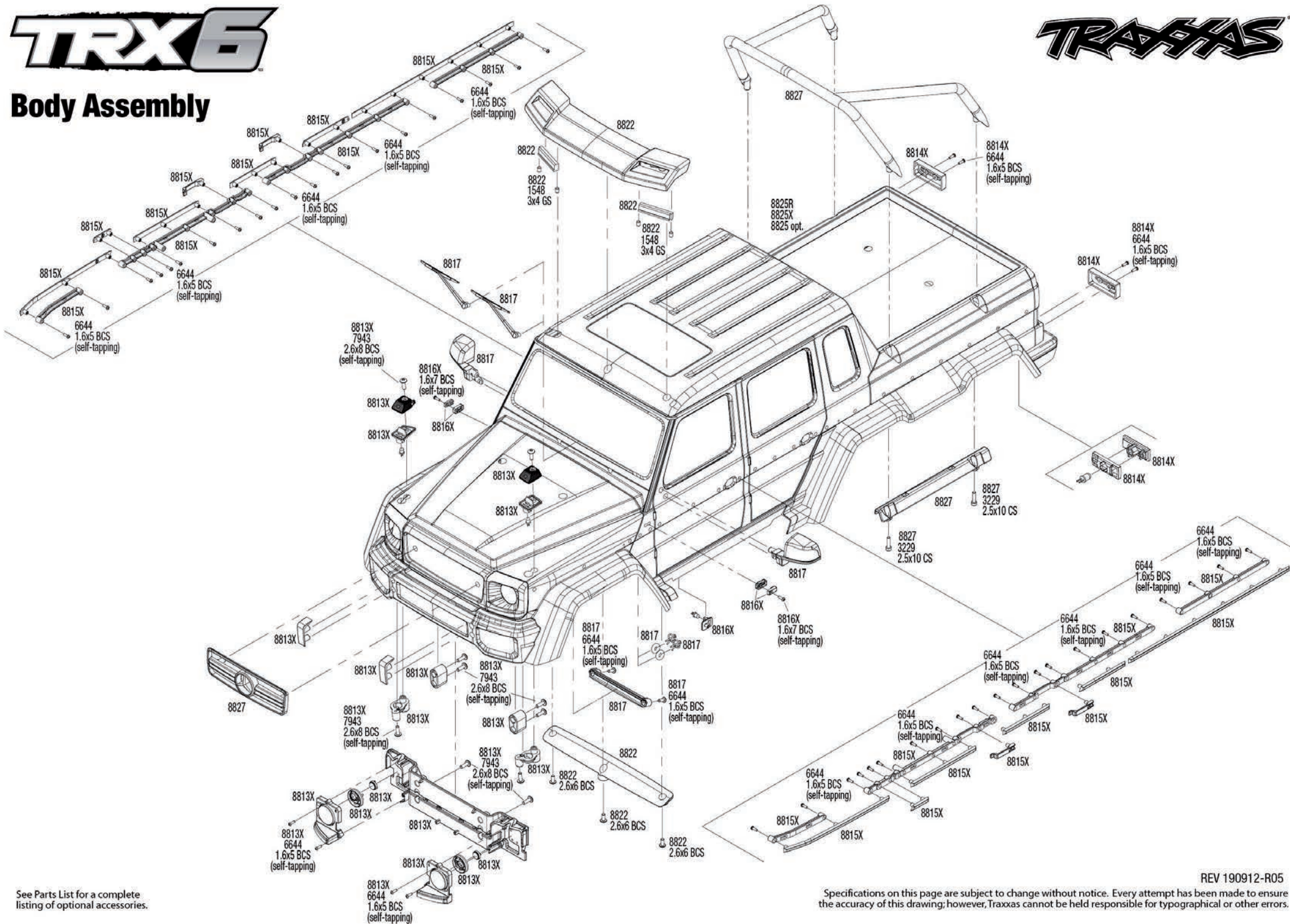
REV 190912-R05

See Parts List for a complete listing of optional accessories.

Specifications on this page are subject to change without notice. Every attempt has been made to ensure the accuracy of this drawing; however, Traxxas cannot be held responsible for typographical or other errors.



## Body Assembly



See Parts List for a complete listing of optional accessories.

REV 190912-R05  
Specifications on this page are subject to change without notice. Every attempt has been made to ensure the accuracy of this drawing; however, Traxas cannot be held responsible for typographical or other errors.